

MANUAL CLAMPS

Carver Bar Style

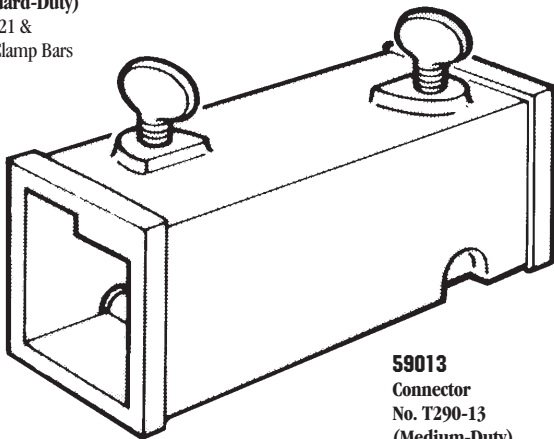


These rugged clamps, made from high-tensile, heat-treated steel, are designed for all types of applications requiring large holding capacities from 1,250 to 6,000 lbs. The clamps are highly versatile, for example, jaws can be reversed to provide spreading action, or several jaws can be used on a single bar both for fixturing and positive component

location and clamping. Available models include T321 Standard-Duty Deep Throat, T285 Medium-Duty Deep Throat, T186 Standard-Duty, T290 Medium-Duty and T257 Heavy-Duty. In addition, standard and medium-duty connectors are available to couple like bars together for increased clamping reaches.

58613

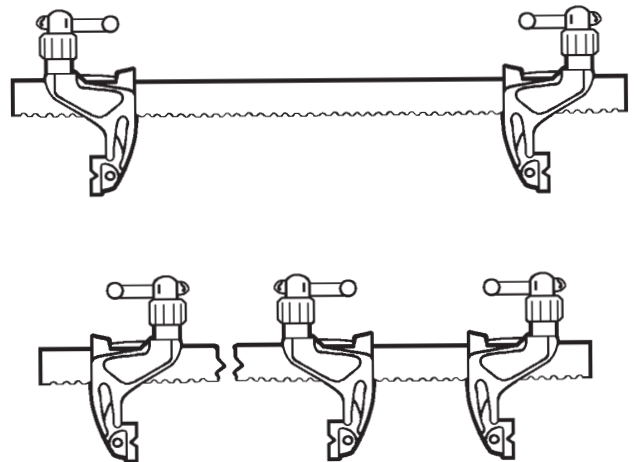
Connector
No. T186-13
(Standard-Duty)
Fits T321 &
T186 Clamp Bars



59013

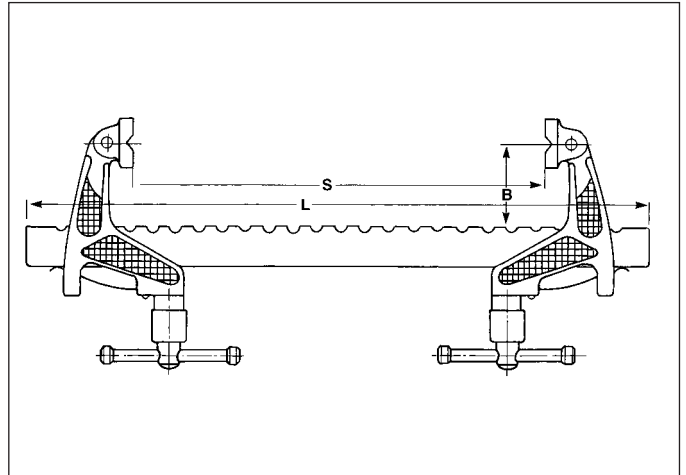
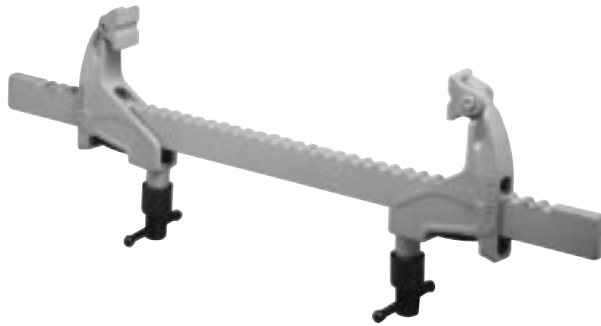
Connector
No. T290-13
(Medium-Duty)
Fits T285 & T290
Clamp Bars

Alternative uses of Bar Clamps



MANUAL CLAMPS

Carver Bar Style



Model No.	EDP No.	Consisting of		Holding Capacity	Weight	S (Width Opening)	B (Throat Depth)	L (Length)	Bar Cross Section
		1x	2x						
T321-18	53218	186-18-1	321-2	1250 lbs.	6.00 lbs.	5.50 - 18"	4.75"	21.75"	1.19 x .50"
T321-24	53224	186-24-1	321-2	1250 lbs.	7.00 lbs.	5.50 - 24"	4.75"	27.75"	1.19 x .50"
T321-36	53236	186-36-1	321-2	1250 lbs.	9.00 lbs.	5.50 - 36"	4.75"	39.75"	1.19 x .50"
T321-48	53248	186-48-1	321-2	1250 lbs.	11.00 lbs.	5.50 - 48"	4.75"	51.75"	1.19 x .50"
T321-60	53216	186-60-1	321-2	1250 lbs.	13.00 lbs.	5.50 - 60"	4.75"	63.75"	1.19 x .50"
T321-72	53272	186-72-1	321-2	1250 lbs.	15.00 lbs.	5.50 - 72"	4.75"	75.75"	1.19 x .50"
T321-84	53284	186-84-1	321-2	1250 lbs.	17.00 lbs.	5.50 - 84"	4.75"	87.75"	1.19 x .50"
T321-96	53296	186-96-1	321-2	1250 lbs.	19.00 lbs.	5.50 - 96"	4.75"	99.75"	1.19 x .50"
T285-24	52824	290-24-1	285-2	2000 lbs.	20.50 lbs.	6.00 - 24"	8.00"	27.50"	1.56 x .81"
T285-36	52836	290-36-1	285-2	2000 lbs.	24.50 lbs.	6.00 - 36"	8.00"	39.75"	1.56 x .81"
T285-48	52848	290-48-1	285-2	2000 lbs.	28.50 lbs.	6.00 - 48"	8.00"	51.50"	1.56 x .81"
T285-60	52860	290-60-1	285-2	2000 lbs.	32.50 lbs.	6.00 - 60"	8.00"	63.38"	1.56 x .81"
T285-72	52872	290-72-1	285-2	2000 lbs.	36.50 lbs.	6.00 - 72"	8.00"	75.50"	1.56 x .81"
T285-84	52884	290-84-1	285-2	2000 lbs.	40.50 lbs.	6.00 - 84"	8.00"	87.50"	1.56 x .81"
T186-18	51818	186-18-1	186-2	2500 lbs.	6.50 lbs.	8.50 - 18"	2.38"	21.75"	1.19 x .50"
T186-24	51824	186-24-1	186-2	2500 lbs.	7.50 lbs.	8.50 - 24"	2.38"	27.75"	1.19 x .50"
T186-36	51836	186-36-1	186-2	2500 lbs.	9.50 lbs.	8.50 - 36"	2.38"	39.75"	1.19 x .50"
T186-48	51848	186-48-1	186-2	2500 lbs.	11.50 lbs.	8.50 - 48"	2.38"	51.75"	1.19 x .50"
T186-60	51860	186-60-1	186-2	2500 lbs.	13.50 lbs.	8.50 - 60"	2.38"	63.75"	1.19 x .50"
T186-72	51872	186-72-1	186-2	2500 lbs.	15.50 lbs.	8.50 - 72"	2.38"	75.75"	1.19 x .50"
T186-84	51884	186-84-1	186-2	2500 lbs.	17.50 lbs.	8.50 - 84"	2.38"	87.75"	1.19 x .50"
T186-96	51896	186-96-1	186-2	2500 lbs.	19.50 lbs.	8.50 - 96"	2.38"	99.75"	1.19 x .50"
T290-24	52924	290-24-1	290-2	4000 lbs.	16.50 lbs.	10.0 - 24"	3.50"	27.50"	1.56 x .81"
T290-36	52936	290-36-1	290-2	4000 lbs.	20.50 lbs.	10.0 - 36"	3.50"	39.75"	1.56 x .81"
T290-48	52948	290-48-1	290-2	4000 lbs.	24.50 lbs.	10.0 - 48"	3.50"	51.50"	1.56 x .81"
T290-60	52960	290-60-1	290-2	4000 lbs.	28.50 lbs.	10.0 - 60"	3.50"	63.38"	1.56 x .81"
T290-72	52972	290-72-1	290-2	4000 lbs.	32.50 lbs.	10.0 - 72"	3.50"	75.50"	1.56 x .81"
T290-84	52984	290-84-1	290-2	4000 lbs.	36.50 lbs.	10.0 - 84"	3.50"	87.50"	1.56 x .81"
T257-72	52572	257-72-1	257-2	6000 lbs.	56.00 lbs.	12.0 - 72"	4.50"	78.38"	2.00 x .88"
T257-84	52584	257-84-1	257-2	6000 lbs.	61.00 lbs.	12.0 - 84"	4.50"	90.38"	2.00 x .88"
T257-96	52596	257-96-1	257-2	6000 lbs.	66.00 lbs.	12.0 - 96"	4.50"	102.38"	2.00 x .88"
T257-108	52508	257-108-1	257-2	6000 lbs.	71.00 lbs.	12.0 - 108"	4.50"	114.38"	2.00 x .88"