

MANUAL CLAMPS

Heavy-Duty Cam Action

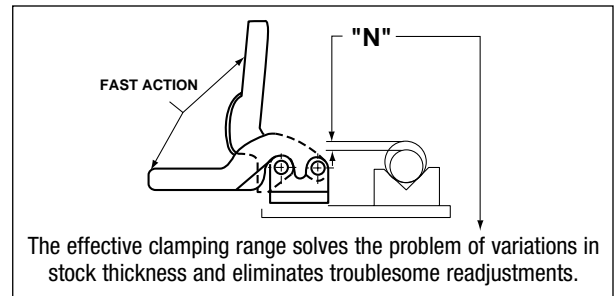
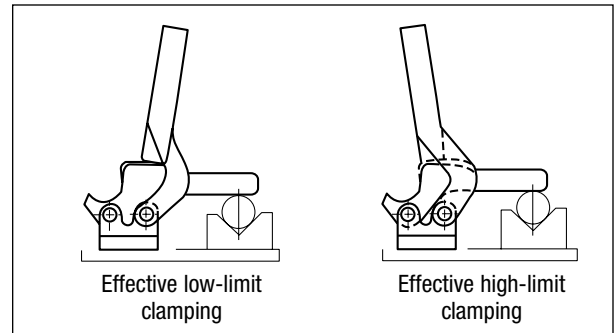
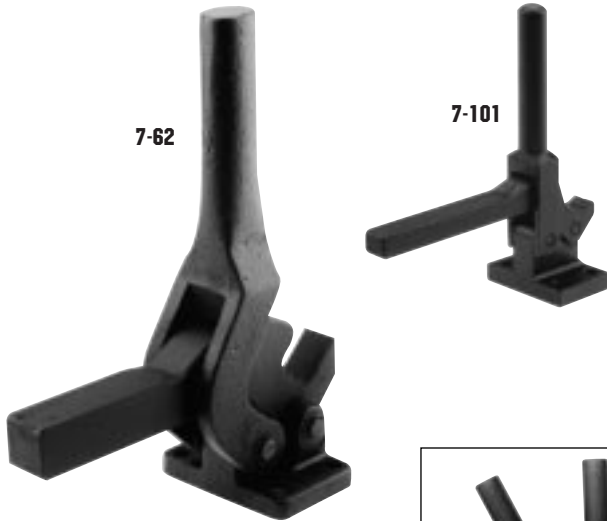
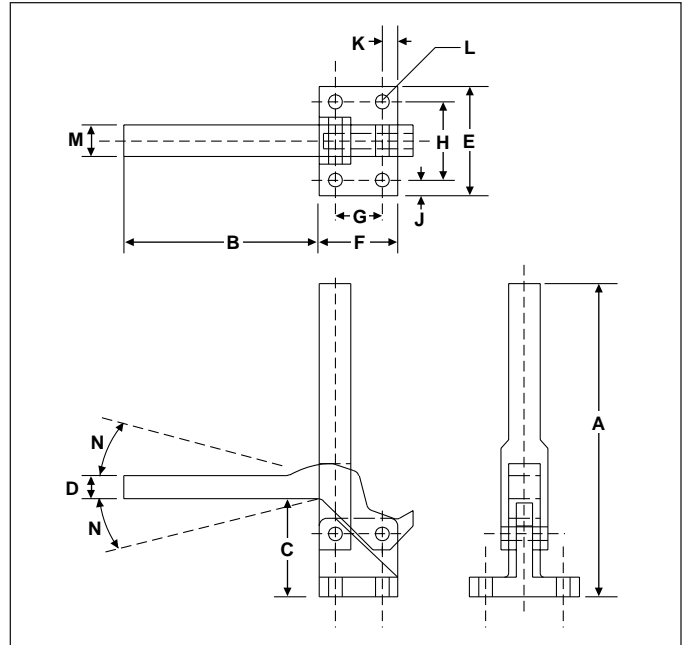


MODELS 7-101, 7-58, 7-59 7-60, 7-61, 7-62

The DE-STA-CO cam clamps have a high-to-low limit clamping range that automatically compensates for part thickness variation and therefore eliminates time-consuming readjustments. The rugged, normalized steel construction allows for extremely heavy-duty use.

The cam action resists vibrational loosening. They are built to take abuse. The clamps are available in six sizes with maximum holding capacities ranging from 475 lbs. up to 5,500 lbs. Part variation thickness allowance is from 1/8" (Model 7-101) up to 1/2" (Model 7-62).

Clamp arms may be machined or welded to suit any application requirement.



Model No.	EDP No.	Max. Holding Capacity	Weight	Dimensions												N Clamp Range
				A	B	C	D	E	F	G	H	J	K	L	M	
7-101	57101	475 lbs.	1 lb.	5.00	3.13	1.44	.50	1.75	1.25	.75	1.25	.25	.25	.22	.50	.13
7-58	57580	600 lbs.	2 lbs.	7.00	2.63	1.88	.56	2.25	1.69	1.00	1.62	.31	.34	.28	.50	.13
7-59	57590	1000 lbs.	3 lbs.	8.50	3.50	2.19	.63	2.50	2.16	1.38	1.88	.31	.39	.34	.63	.19
7-60	57600	1600 lbs.	5 lbs.	9.50	4.38	2.50	.88	2.88	2.44	1.63	2.13	.38	.44	.41	.75	.25
7-61	57610	3750 lbs.	15 lbs.	14.00	6.00	2.88	1.25	4.50	3.00	2.00	3.50	.50	.50	.53	1.13	.38
7-62	57620	5500 lbs.	20 lbs.	14.94	7.63	3.50	1.50	5.25	3.50	2.50	4.00	.63	.50	.53	1.50	.50