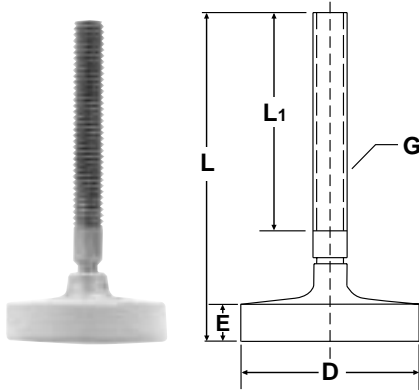


# ACCESSORIES – MANUAL CLAMPS

## Adjustment Spindle Assemblies



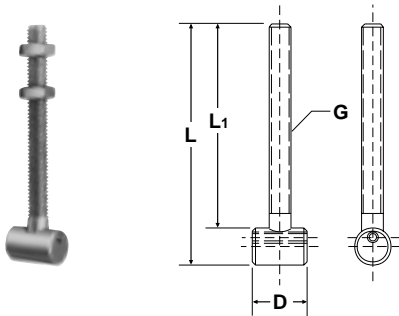
### LARGE DIAMETER SWIVEL PADDED SPINDLE (WHITE NEOPRENE PAD)



Part No.	EDP No.	L	L <sub>1</sub>	D	Thread (G)	E
207209	59401	2.63	1.50	1.00	1/4-20	.31
507209	59402	3.00	1.94	1.50	5/16-18	.31
210209	59403	3.63	2.44	2.00	3/8-16	.31

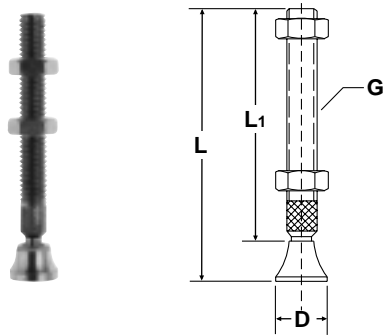
Padded swivel foot is bonded using oil resistant white neoprene with a durometer of 70-80, to provide adequate compressibility and resiliency. Normal operating is -40°F to 220°F.

### SWIVEL "T" BOLT



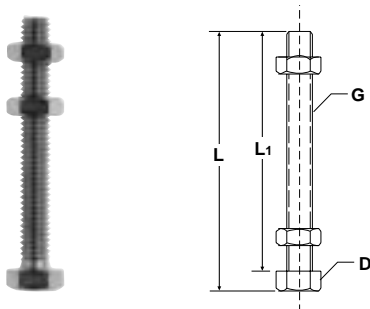
Part No.	EDP No.	L	L <sub>1</sub>	D	Thread (G)
468204	59701	4.13	3.25	0.94	3/8-16
507204	59702	3.00	2.13	0.94	5/16-18

### SWIVEL FOOT



Part No.	EDP No.	L	L <sub>1</sub>	D	Thread (G)	Swivel Angle
207206	59601	2.38	1.50	0.50	1/4-20	10°
507206	59605	2.75	1.94	0.56	5/16-18	14°
468206	59604	3.00	2.00	0.63	3/8-16	13°
468206-AL	59606	3.00	2.00	0.63	3/8-16	13°
210206	59602	3.38	2.44	0.63	3/8-16	13°
250206	59603	4.63	3.50	1.00	1/2-13	13°

### HEX-HEAD - FULLY THREADED STAINLESS STEEL



Part No.	EDP No.	L	L <sub>1</sub>	D	Thread (G)
205943	59321	0.75	0.66	1/4	8-32
213943	59322	1.13	1.03	1/4	8-32
201943	59323	1.13	1.03	5/16	10-32
202943	59324	1.50	1.38	7/16	1/4-20
207943	59326	2.50	2.31	1/2	5/16-18
237943	59327	2.50	2.25	9/16	3/8-16
245943	59328	3.00	2.75	3/4	1/2-13