

MANUAL CLAMPS

Toggle-Lock Plus

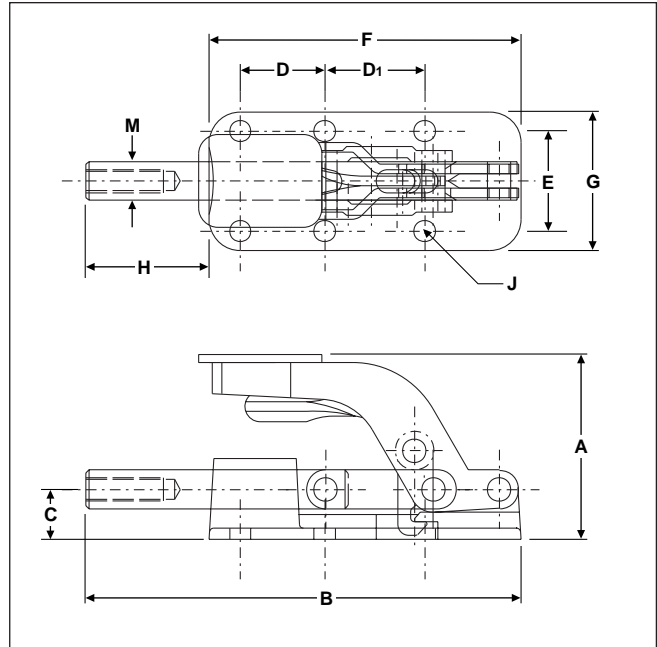


MODEL 630-R

Includes a locking release lever, which locks into the rugged forged steel base. Handle pad is larger for greater operator comfort. Accommodates any 3/8-16 spindle assembly. Supplied with red vinyl-dipped handles.



56301
Model 630-R



Model No.	EDP No.	Holding Capacity	Weight	Plunger Travel	Plunger Thread	Dimensions										
						A	B	C	D	D ₁	E	F	G	H	J	M
630-R	56301	2500 lbs.	2.33 lbs.	2.00"	3/8-16	3.00	7.06	.81	1.38	1.63	1.63	5.06	2.25	2.00	.34	.63