

MANUAL CLAMPS

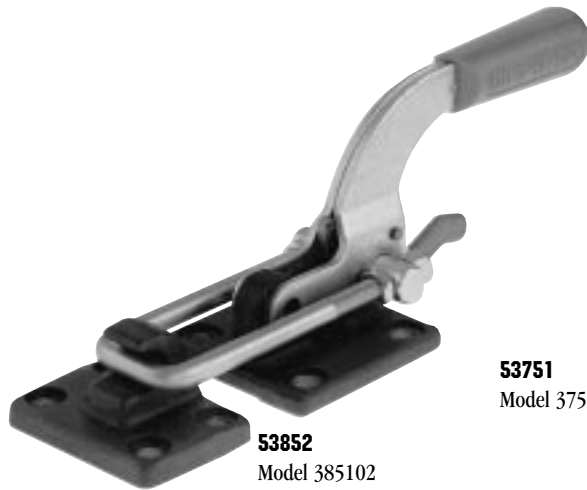
Toggle-Lock Plus



DE-STA-CO
A DOVER RESOURCES COMPANY

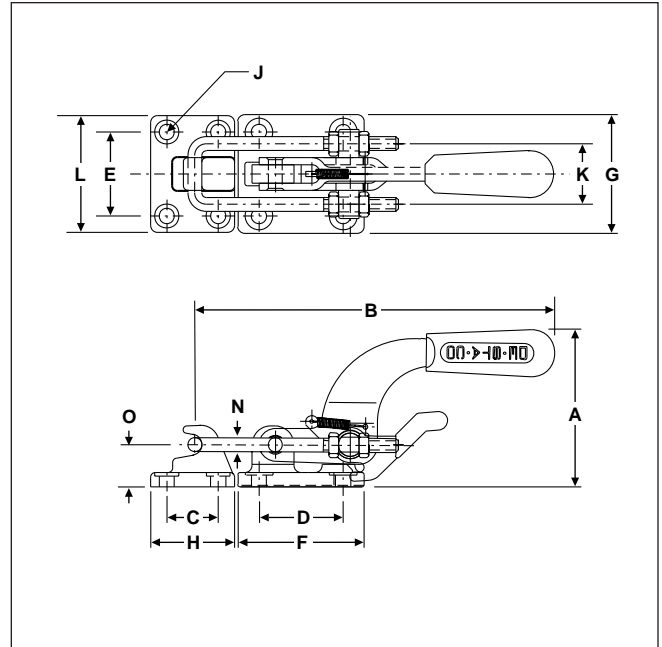
MODEL 375-R

This heavy-duty model is supplied with a release lever which locks into the forged steel base. Locks in the closed position only. Handles are red vinyl-dipped.



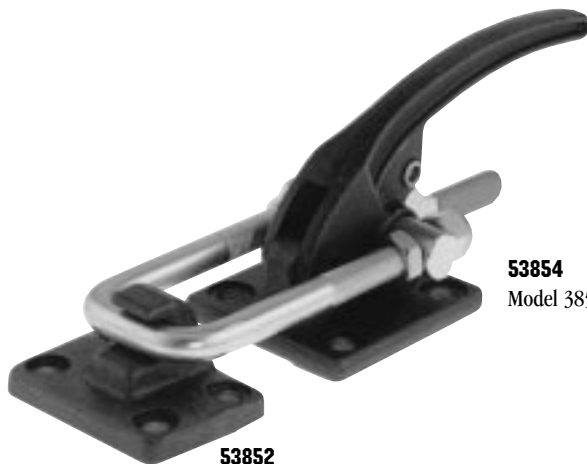
53852
Model 385102
Optional Latch Plate

53751
Model 375-R



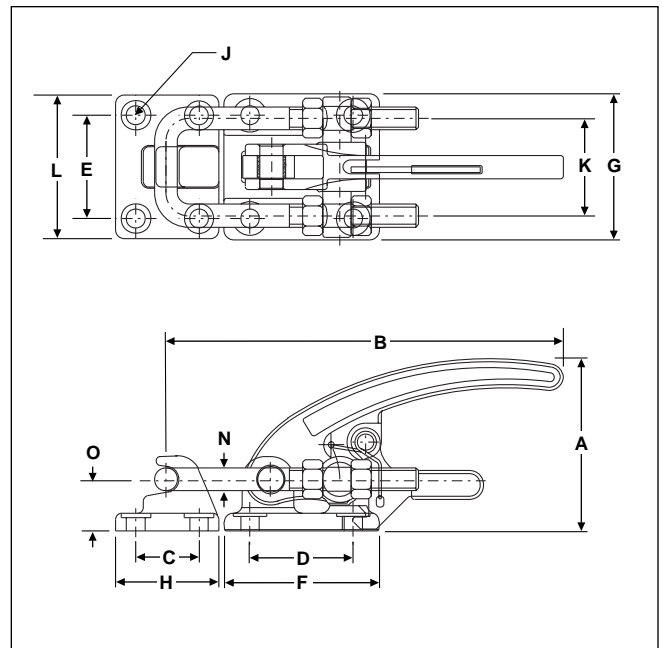
MODEL 385-R

Similar to Model 375-R but with higher holding capacity. Has release lever that also locks into the forged base. Locks in the closed position only.



53852
Model 385102
Optional Latch Plate

53854
Model 385-R



Model No.	EDP No.	Holding Capacity	Weight	Drawing Movement	Hook Adjustment	Dimensions												
						A	B*	C	D	E	F	G	H	J	K	L	N	O
375-R	53751	4000 lbs.	2.10 lbs.	3.50"	.63"	4.19	9.63	1.38	2.25	2.25	3.19	3.19	2.25	.41	1.63	3.13	.38	1.13
385-R	53854	7500 lbs.	3.39 lbs.	1.13"	1.00"	3.75	8.75	1.38	2.25	2.25	3.38	3.13	2.25	.41	2.13	3.13	.50	1.13

*Minimum Dimension