

MANUAL CLAMPS

Toggle-Lock Plus

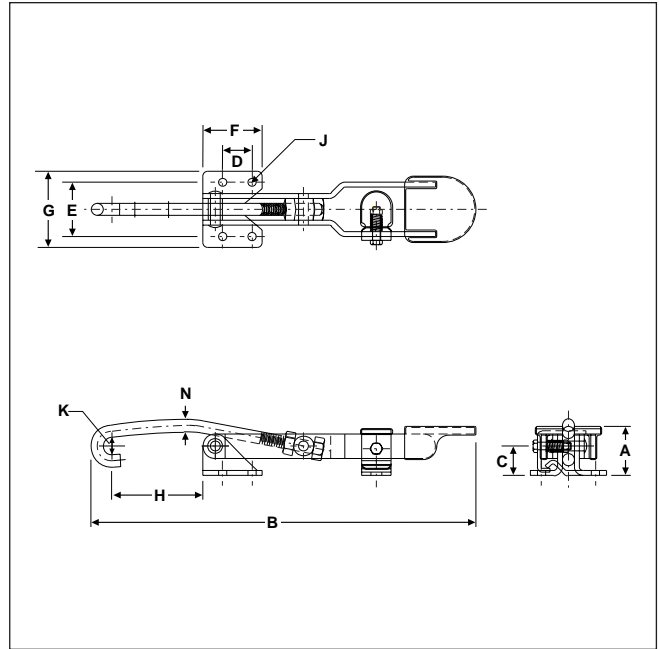


MODEL 351-R

Model 351-R is supplied with a release lever catch accessory which allows the clamp to lock in the closed position only. Large handle pad improves operability of the clamp. Handle is red vinyl-dipped.

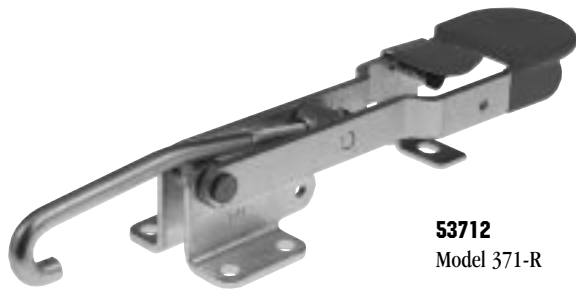


53511
Model 351-R

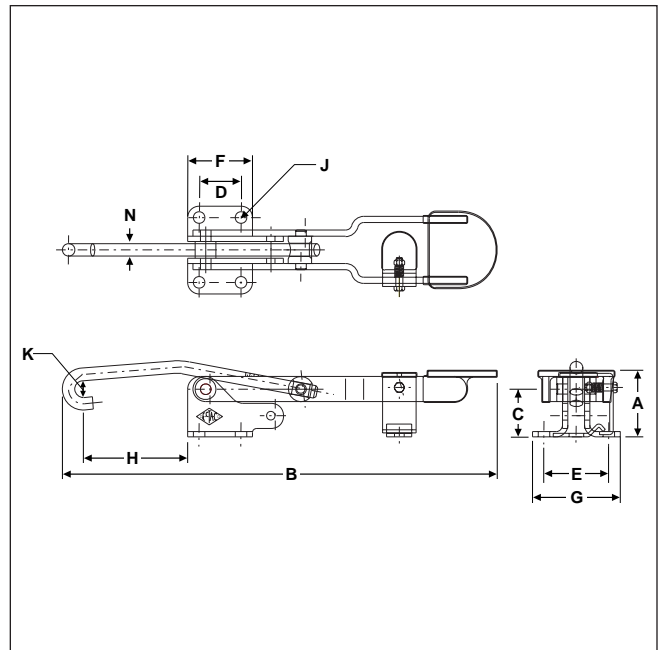


MODEL 371-R

Similar to Model 351-R. Supplied with red vinyl-dipped handle and release lever catch accessory which allows the clamp to stay locked in the closed position.



53712
Model 371-R



Model No.	EDP No.	Holding Capacity	Weight	Drawing Movement	Hook Adjustment	Dimensions										
						A	B*	C	D	E	F	G	H	J	K	N
351-R	53511	375 lbs.	.84 lbs.	4.00"	.34"	1.44	9.69	.75	.75	1.38	1.50	1.94	2.22	.22	.44	.31
371-R	53712	750 lbs.	1.77 lbs.	5.38"	.81"	2.25	12.88	1.42	1.25	1.94	1.94	2.63	2.88	.34	.50	.38

* Maximum Dimension