

# MANUAL CLAMPS

Toggle-Lock Plus

## MODEL 331-R

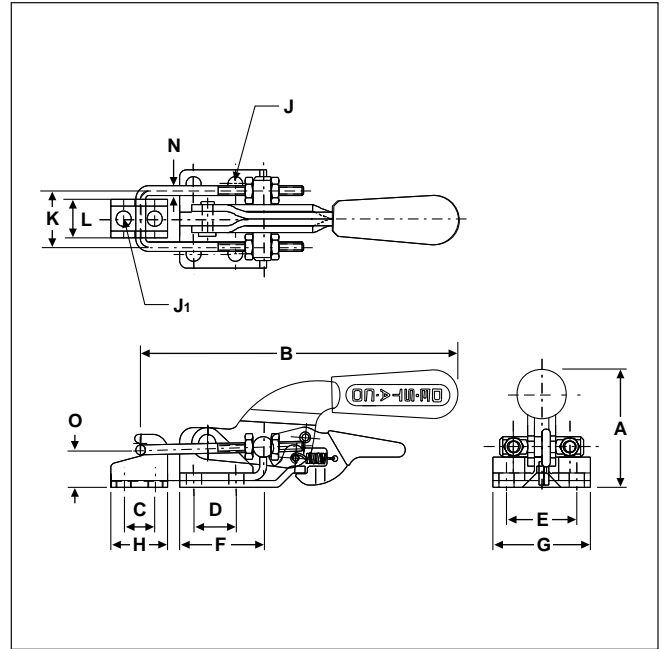
Supplied with a release lever catch accessory which allows the clamp to lock in the closed position only. Latch plate (331005) supplied with clamp. Equipped with an ergonomic handle grip.

### ALSO AVAILABLE

In Stainless Steel Model 331-R-SS Page 67



**53311**  
Model 331-R



## MODEL 341-R

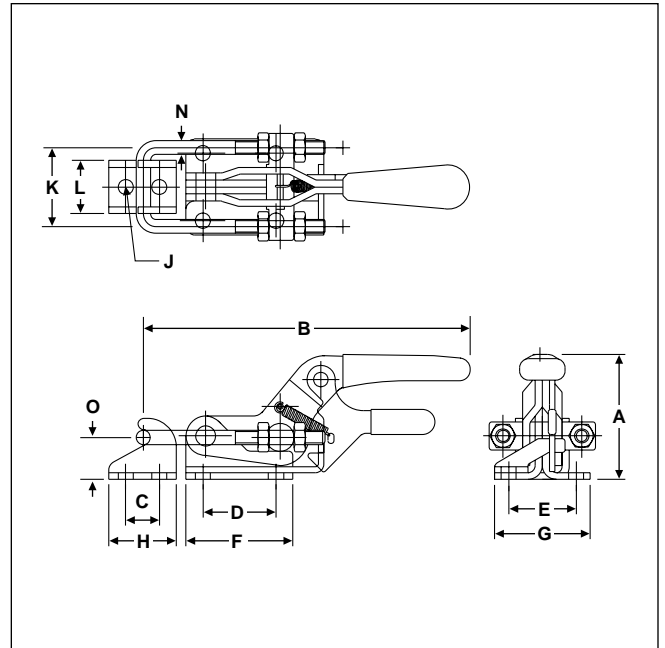
Similar to Model 331-R only with greater capacity. Release lever catch assembly allows the clamp to remain in the closed position. Latch plate (341005) supplied with clamp. Supplied with ergonomic handle grip.

### ALSO AVAILABLE

In Stainless Steel Model 341-R-SS Page 67



**53411**  
Model 341-R



Model No.	EDP No.	Holding Capacity	Weight	Drawing Movement	Hook Adjustment	Dimensions													
						A	B*	C	D	E	F	G	H	J	J <sub>1</sub>	K	L	N	O
331-R	53311	700 lbs.	.56 lbs.	1.75"	.31"	1.78	5.97	.56	.75	1.25	1.56	1.75	1.00	.27	.22	1.00	.69	.19	.66
341-R	53411	2000 lbs.	1.57 lbs.	2.50"	.56"	2.78	7.50	.75	1.63	1.50	2.38	2.13	1.50	.33	—	1.75	1.19	.31	.94

\*Minimum Dimension