

# MANUAL CLAMPS

Toggle-Lock Plus

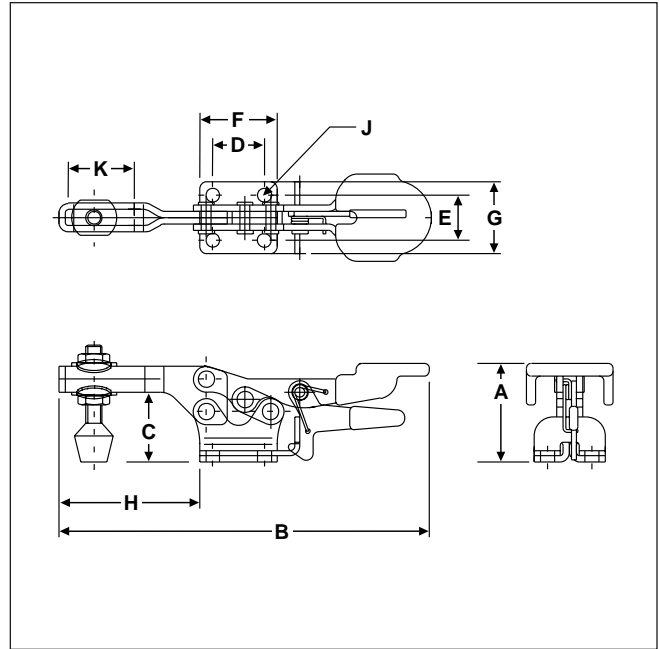


## MODEL 225-R

Features a locking release lever which locks in the clamped position only. A large handle pad with red vinyl dipping has been added for greater operator comfort. Supplied with 225208 spindle assembly and (2) 507107 washers.



**52251**  
Model 225-R  
"U" Bar  
Flanged Base

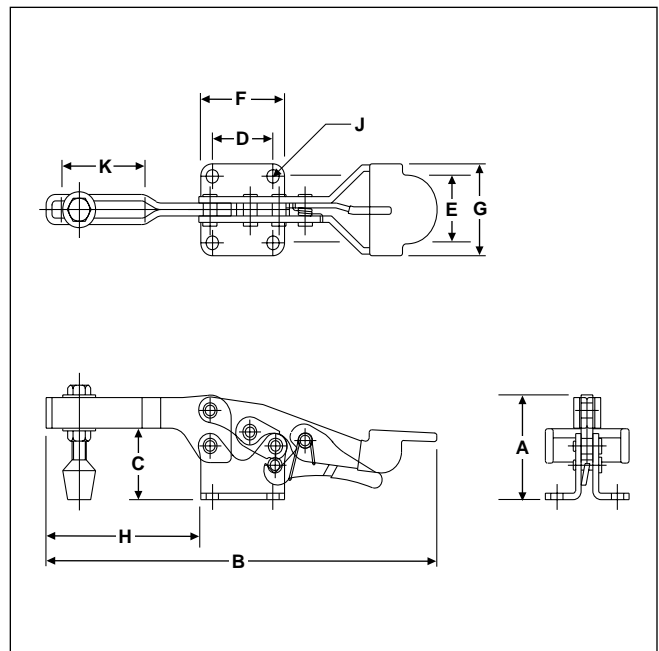


## MODEL 235-R

Equipped with a release lever which locks in the clamped position only. A large handle pad with red vinyl dipping has been added for greater operator comfort. Supplied with 240208 spindle assembly and (2) 235106 washers.



**52351**  
Model 235-R  
"U" Bar  
Flanged Base



Model No.	EDP No.	Holding Capacity	Weight	Handle Moves	Bar Opens	Dimensions									
						A	B	C	D	E	F	G	H	J	K
225-R	52251	500 lbs.	.69 lbs.	70°	90°	1.84	7.25	1.34	1.00	.88	1.50	1.38	2.51	.27	1.38
235-R	52351	750 lbs.	1.64 lbs.	55°	90°	2.50	10.50	1.75	1.63	1.63	2.25	2.25	4.32	.33	2.38