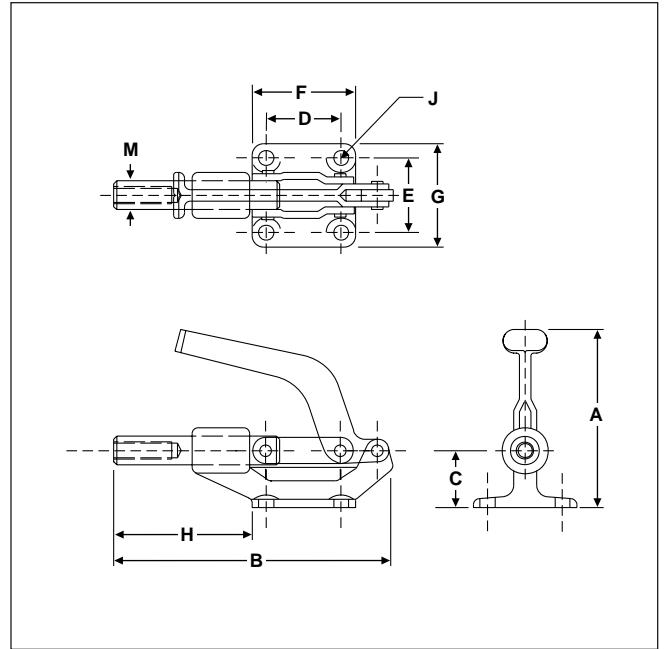


MODEL 608

850 lbs. of holding capacity in a low-profile clamp weighing only 20 ounces. Plunger locks in both retracted and extended positions. Plunger is tapped for 3/8-16 adjustment spindle. The forged base provides added strength. Handle is red vinyl-dipped.

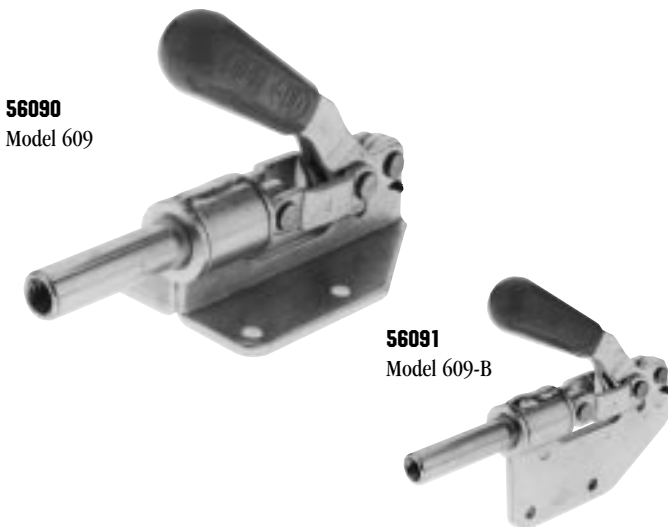


56080
Model 608



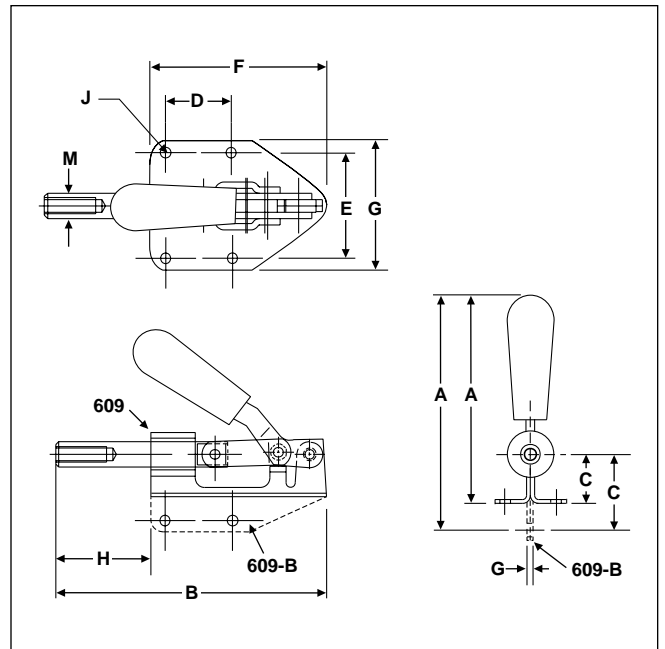
MODELS 609, 609-B

This low profile clamp locks in either the extended or retracted position. The plunger is drilled and tapped to accept 5/16-18 customized fixture or neoprene-tipped spindle. Also available as Model 609-B with a straight base. Equipped with an ergonomic handle grip. Model 609 is directly interchangeable with Model 605.



56090
Model 609

56091
Model 609-B



Model No.	EDP No.	Holding Capacity	Weight	Plunger Travel	Plunger Thread	Dimensions									
						A	B	C	D	E	F	G	H	J	M
608	56080	850 lbs.	1.25 lbs.	1.63"	3/8-16	3.88	6.13	1.25	1.63	1.63	2.25	2.25	3.00	.33	.63
609	56090	300 lbs.	.88 lbs.	1.25"	5/16-18	3.38	5.48	0.97	1.38	1.63	3.60	2.19	1.88	.20	.50
609-B	56091	300 lbs.	.88 lbs.	1.25"	5/16-18	4.28	5.48	1.87	1.38	—	3.60	0.25	1.88	.20	.50