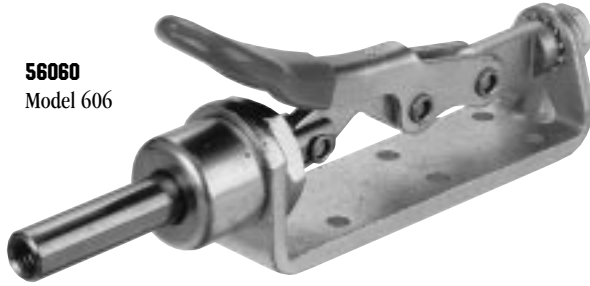
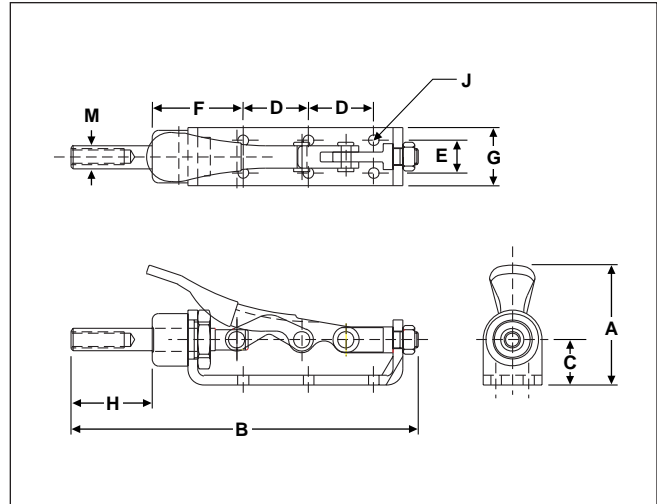


MODEL 606

Features an unusual 125° swiveling handle and linkage. Model 606 can be mounted in many positions with the handle remaining in an upright or other convenient position. This feature and its narrow base permit use where other clamps won't fit. Heat treated base. Red vinyl-dipped handle provided for operator comfort. This model clamps in only the extended position. Plunger is tapped for 5/16-18 adjustment spindle or detail.



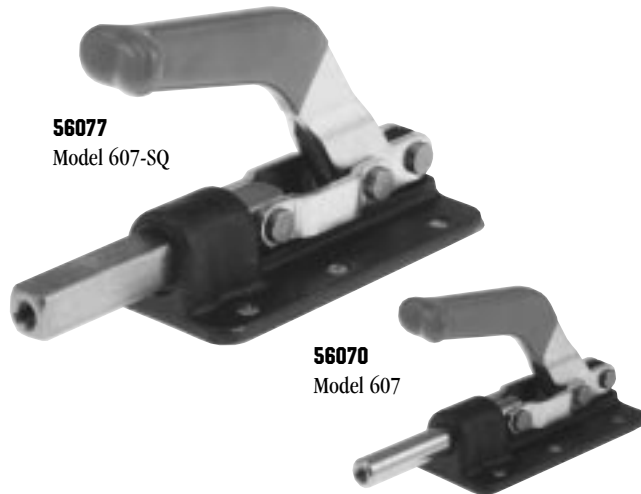
56060
Model 606



ALSO AVAILABLE
With Metric Plunger Model 606-M Page 68

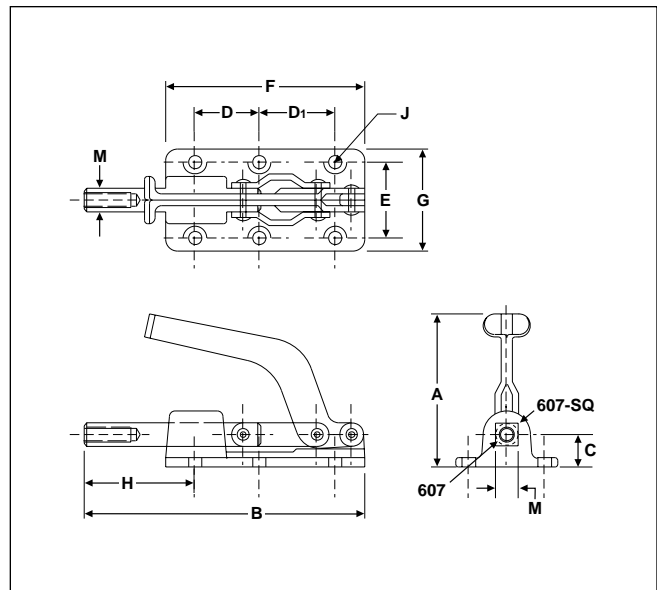
MODELS 607, 607-SQ

Extremely compact for its large capacity, this low silhouette clamp locks in either extended or retracted position. From the mounting surface to centerline of plunger is only 11/16". Model 607 has a round plunger. Model 607-SQ has a 1/2" square plunger for multiple point locating. Both models are drilled and tapped to accept any 5/16-18 detail. Comes complete with red vinyl-dipped handle. Metric Plunger available with M8 internal thread.



56077
Model 607-SQ

56070
Model 607



ALSO AVAILABLE
With Metric Plunger Models 607-M, 607-SQ-M Page 68

Model No.	EDP No.	Holding Capacity	Weight	Plunger Travel	Plunger Thread	Dimensions										
						A	B	C	D	D ₁	E	F	G	H	J	M
606	56060	450 lbs.	.81 lbs.	1.50"	5/16-18	2.30	6.67	.88	1.25	—	.63	1.75	1.13	1.56	.20	.44
607	56070	800 lbs.	1.63 lbs.	1.63"	5/16-18	3.30	6.06	.69	1.38	1.63	1.63	4.31	2.19	2.38	.28	.50
607-SQ	56077	800 lbs.	1.63 lbs.	1.63"	5/16-18	3.30	6.06	.69	1.38	1.63	1.63	4.31	2.19	2.38	.28	.50