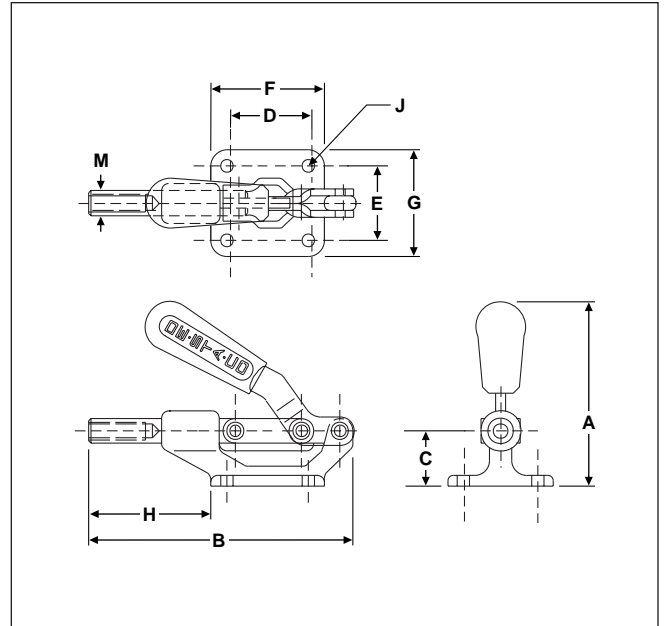


MODEL 603

This straight-line action toggle clamp has a large holding capacity for its size. The 603 is well adapted for use in confined areas because of its small package size and low height. The ergonomic handle is slanted forward to provide an adequate grip and yet enhance the low silhouette. Locks in both the extended and retracted positions. Plunger is tapped for 5/16-18 adjustment spindle or detail. Metric Plunger available with M8 internal thread.



56030
Model 603



ALSO AVAILABLE

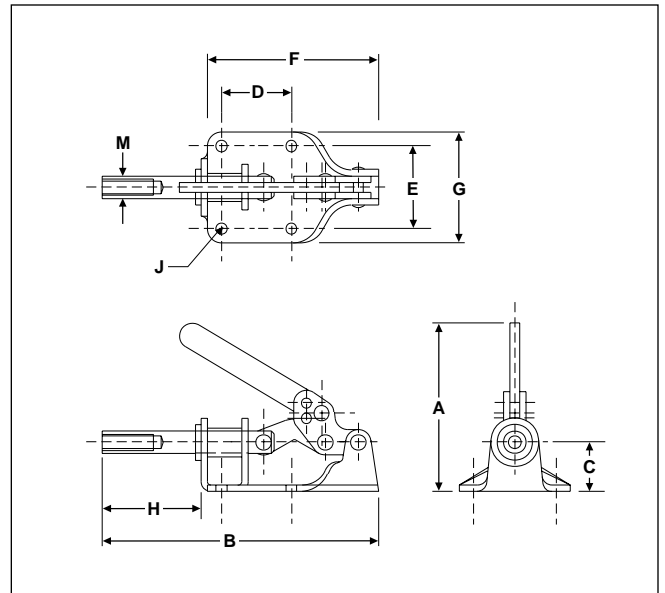
As Air/Hydraulic Model 803 Page 111
With Metric Plunger Model 603-M Page 68

MODEL 605

For push and pull clamping. Furnished with ergonomic grip. Plunger is tapped for 5/16-18 adjustment spindle. Base is heat treated for added strength. Metric Plunger available with M8 internal thread.



56050
Model 605



ALSO AVAILABLE

With Metric Plunger Model 605-M Page 68

Model No.	EDP No.	Holding Capacity	Weight	Plunger Travel	Plunger Thread	Dimensions									
						A	B	C	D	E	F	G	H	J	M
603	56030	600 lbs.	.83 lbs.	1.25"	5/16-18	3.24	4.69	.97	1.44	1.31	2.00	1.86	2.16	.22	.44
605	56050	300 lbs.	.69 lbs.	1.25"	5/16-18	3.16	5.44	.97	1.38	1.63	3.50	2.19	1.94	.22	.44