

MANUAL CLAMPS

Straight-Line Action



MODELS 602, 604, 624, 6004

Fully retractable locators, these models mount directly through a member by a jam nut on the work side or flush by drilling and tapping the member. Locks in extended or retracted position. When flush mounted, plunger completely retracts from work area. An optional base mounting detail is available for Model 604 as part no. 604106, and for Model 624 as part no. 624108. All models provided with an ergonomic handle grip. Also available with Metric Plunger thread.



56020
Model 602



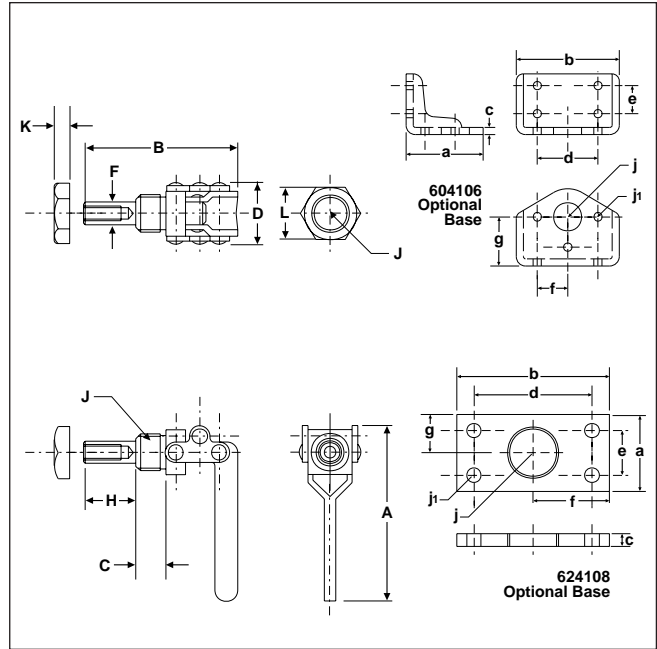
56040
Model 604



56240
Model 624



56043
Model 6004



ALSO AVAILABLE

In Stainless Steel	Models 602-SS, 604-SS	Page 67
	Model 624-SS	Page 67
With Metric Plunger	Models 602-M, 604-M	Page 68
	Model 624-M, 6004-M	Page 68



56041
Model 604106
Mounting Plate



56241
Model 624108
Mounting Plate

Model No.	Metric Specifications		Jam Nuts	
	Plunger Thread	Body Thread	Model No.	Part No.
602-M	M6	M16 x 1.5	602	602105
604-M	M8	M20 x 1.5	604	606104
624-M	M10	M27 x 2	624	624105
6004-M	M8	M20 x 1.5	6004	606104

Model No.	EDP No.	Dimensions								
		a	b	c	d	e	f	g	j	j ¹
604106	56041	1.63	—	0.38	1.63	0.81	0.81	1.31	3/4	0.22
624108*	56241	1.50	3.00	0.25	2.31	0.88	1.50	0.75	1-14	0.28

* Also available in Stainless Steel as Model 624908

Model No.	EDP No.	Holding Capacity	Weight	Plunger Travel	Plunger Thread	Dimensions								
						A	B	C	D	F	H	J	K	L
602	56020	200 lbs.	.25 lbs.	.75"	1/4-20	3.13	2.44	.50	.94	.38	.81	5/8-18	.25	.88
604	56040	300 lbs.	.44 lbs.	1.50"	5/16-18	4.06	4.94	.63	1.25	.44	1.56	3/4-16	.25	1.00
624	56240	700 lbs.	1.63 lbs.	2.63"	3/8-16	5.63	6.69	.88	1.56	.63	2.75	1-14	.25	1.50
6004	56043	450 lbs.	.81 lbs.	1.50"	5/16-18	4.12	5.18	.75	.88	.50	1.62	3/4-16	—	—