

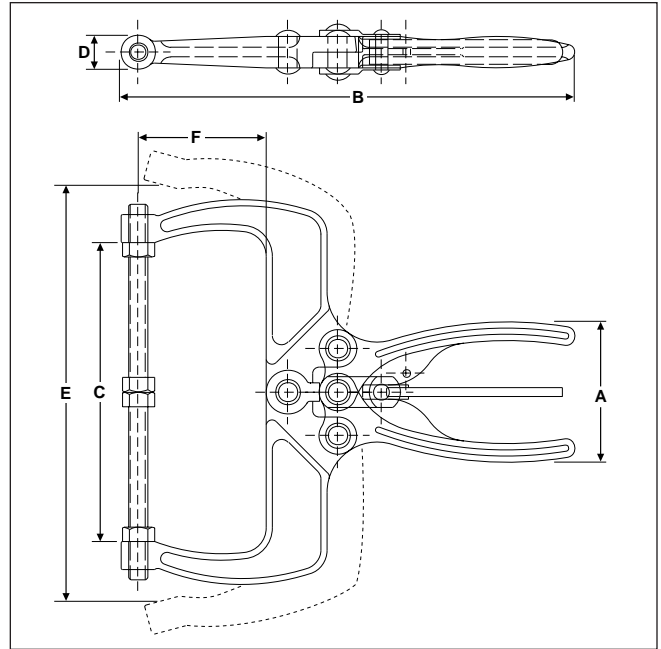
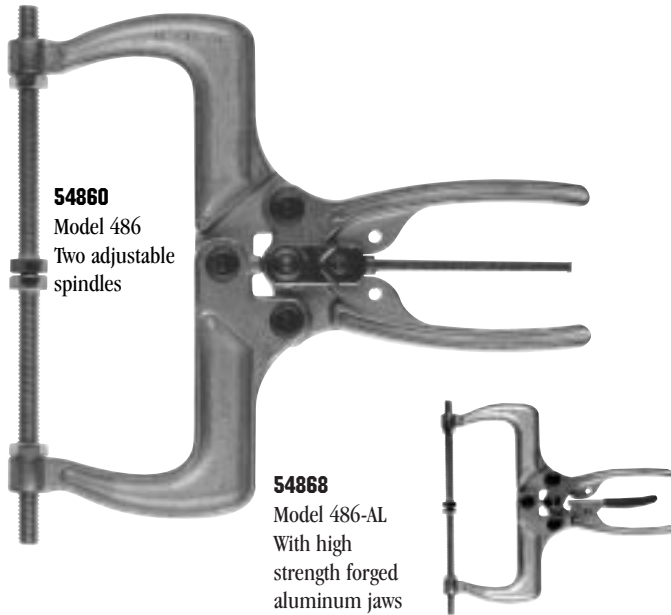
# MANUAL CLAMPS

Squeeze Action



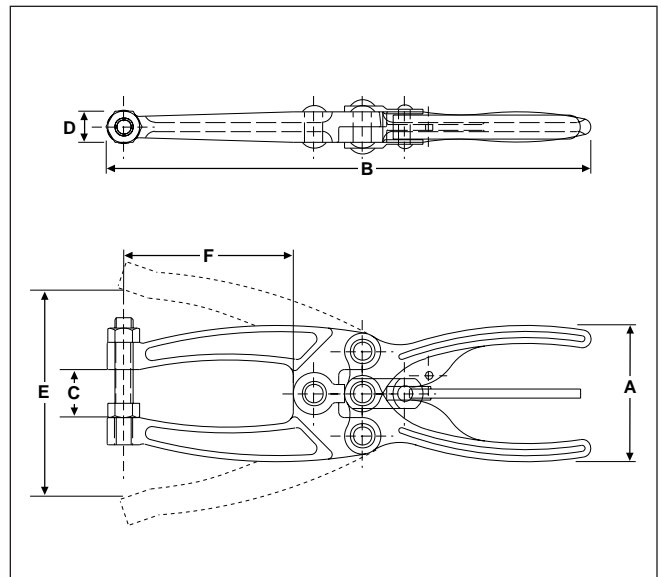
## SERIES 486

Full 6" jaw span. Furnished with two-way trigger release and two 3/8-16 hex-head spindle assemblies (240203). Also available in aluminum as Model 486-AL.



## SERIES 491

Long narrow jaws for maximum jaw depth and reach. Heavy forged components with 3/8-16 hex-head spindle assembly (491203) and two-way trigger release. Also available in aluminum as Model 491-AL.



Model No.	EDP No.	Holding Capacity	Weight	Dimensions					
				A	B	C	D	E	F
486	54860	1000 lbs.	2.31 lbs.	2.75	9.06	6.00	.69	8.00	2.56
486-AL	54868	400 lbs.	1.00 lbs.	2.75	9.06	6.00	.69	8.00	2.56
491	54910	850 lbs.	1.75 lbs.	2.63	10.00	1.00	.69	4.18	3.50
491-AL	54918	300 lbs.	0.63 lbs.	2.63	10.00	1.00	.69	4.18	3.50