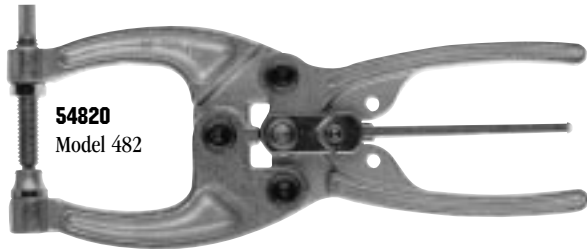


SERIES 482

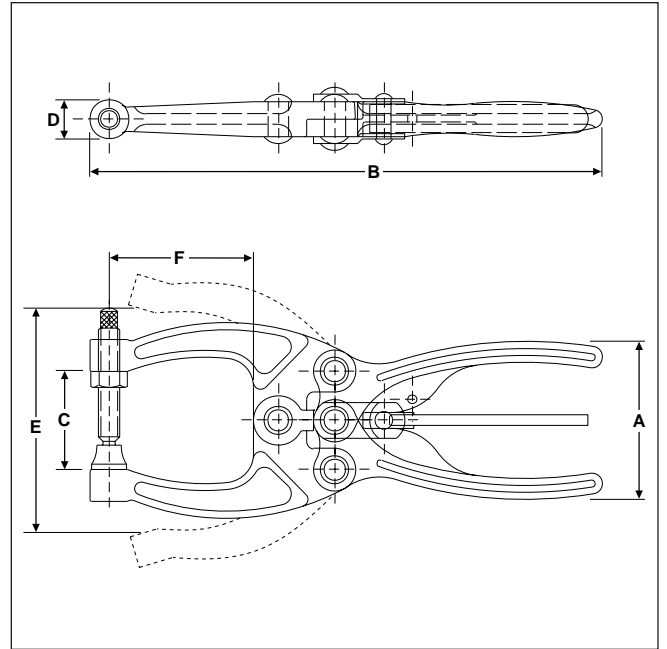
Heavy-duty construction from heat-treated forged alloy steel. Two-way trigger release for one-handed operation. Model 482 has 1 3/4" jaw span and 3/8-16 swivel foot adjustment spindle assembly (468206). Also available in aluminum as Model 482-AL.



54820
Model 482

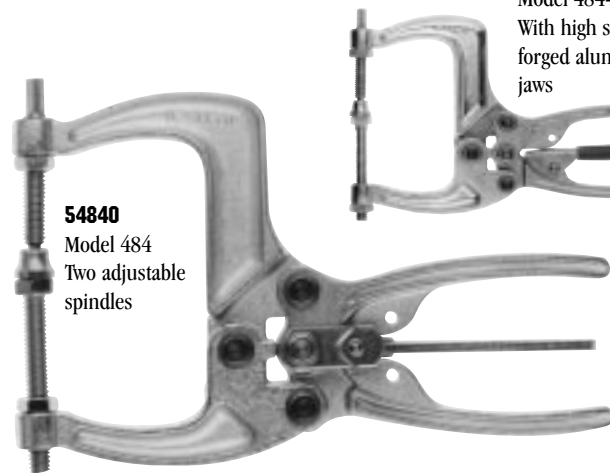


54828
Model 482-AL
With high strength
forged aluminum jaws



SERIES 484

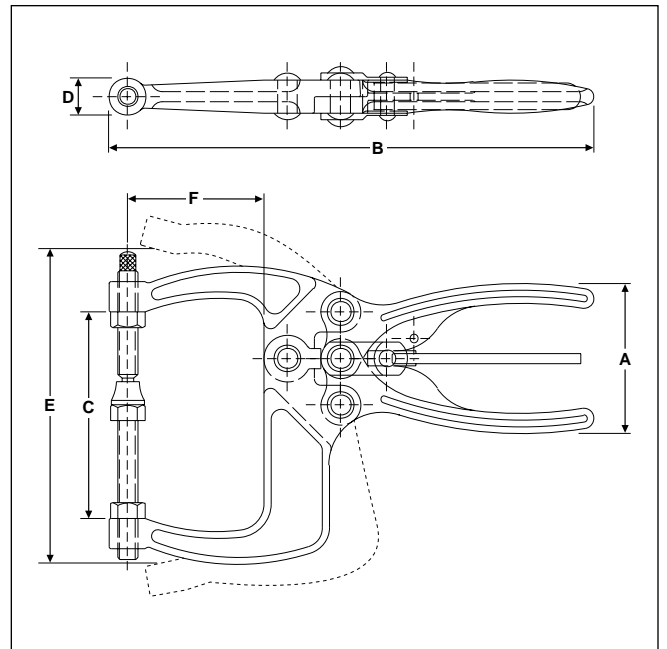
Heavy-duty construction from heat-treated forged alloy steel. Two-way trigger release for one-handed operation. Model 484 has 3 7/8" jaw span, and is equipped with one 3/8-16 swivel-foot adjustment assembly (468206) and 3/8-16 hex-head spindle assembly (210203). Also available in aluminum as Model 484-AL.



54840
Model 484
Two adjustable
spindles



54848
Model 484-AL
With high strength
forged aluminum
jaws



Model No.	EDP No.	Holding Capacity	Weight	Dimensions					
				A	B	C	D	E	F
482	54820	1200 lbs.	1.75 lbs.	2.69	9.06	1.75	.69	4.06	2.56
482-AL	54828	500 lbs.	0.75 lbs.	2.69	9.06	1.75	.69	4.06	2.56
484	54840	1200 lbs.	2.00 lbs.	2.69	9.06	3.83	.69	6.00	2.69
484-AL	54848	500 lbs.	0.88 lbs.	2.69	9.06	3.83	.69	6.00	2.69