

MANUAL CLAMPS

Squeeze Action



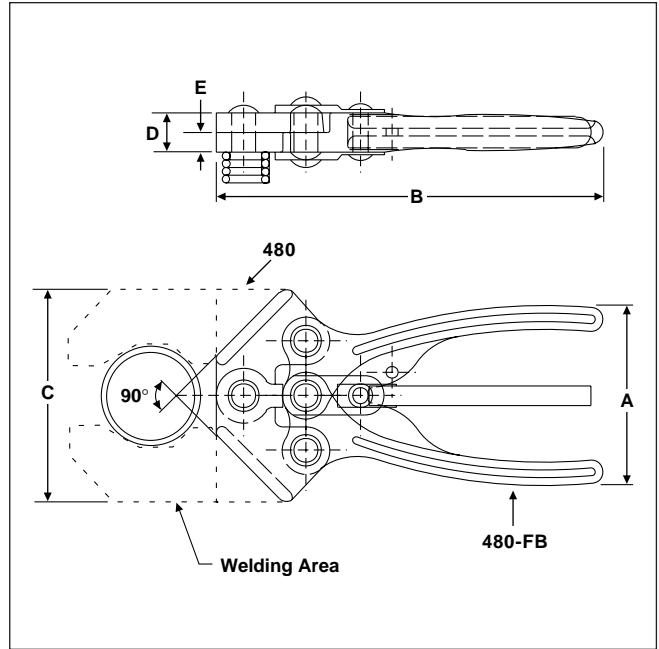
MODELS 480, 480-FB

The Model 480 has stub jaws for easy attachment of special jaw extensions or fixtures. The two-way trigger permits quick, one-handed operation.

The Model 480-FB, also with stub jaws, features a snap-opening coil spring. From a locked position the clamp springs open when the trigger is squeezed.



54805
Model 480-FB



Model No.	EDP No.	Holding Capacity	Weight	Dimensions				
				A	B	C	D	E
480	54800	1200 lbs. with 2.56" jaw extension	1.31 lbs.	2.61	6.19	3.75	.63	.23
480-FB	54805	1200 lbs. with 2.56" jaw extension	1.31 lbs.	2.61	6.13	3.75	.63	—