

MANUAL CLAMPS

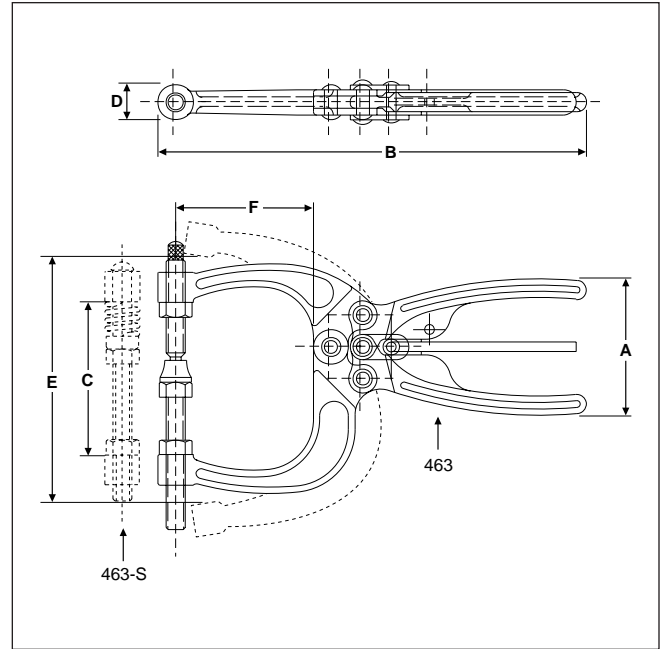
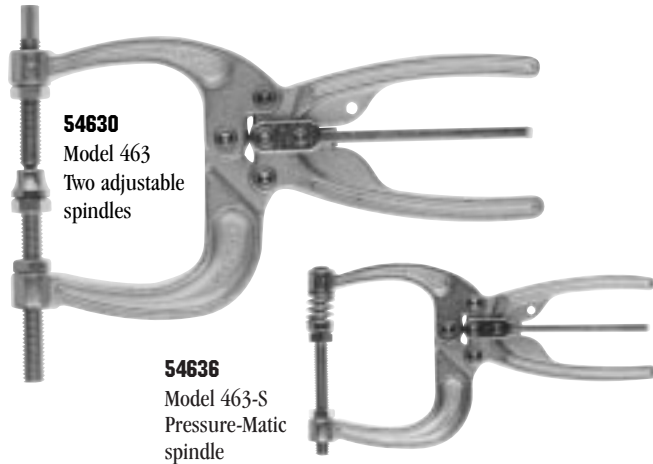
Squeeze Action



DE-STA-CO
A DOVER RESOURCES COMPANY

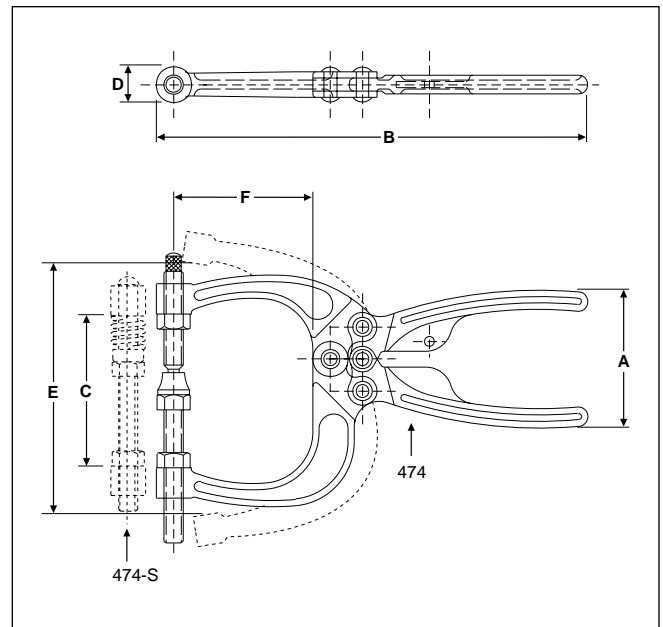
MODELS 463, 463-S

Jaw capacity is 3". Model 463 furnished with one 3/8-16 swivel-foot adjustment spindle assembly (468206) and one hex-head spindle assembly (210203). Model 463-S has Pressure-Matic spring-loaded spindle plus hex-head spindle assembly (210203). All models have two-way trigger release.



MODELS 474, 474-S

Identical to Models 463 and 463-S except without trigger release.



Model No.	EDP No.	Holding Capacity	Weight	Dimensions					
				A	B	C	D	E	F
463	54630	700 lbs.	1.19 lbs.	2.66	8.47	3.00	.69	4.75	2.75
463-S	54636	90 lbs. per 1/8" spring compression	1.19 lbs.	2.66	8.47	3.00	.69	4.75	2.75
474	54740	700 lbs.	1.00 lbs.	2.66	8.47	3.00	.69	4.75	2.75
474-S	54746	90 lbs. per 1/8" spring compression	1.00 lbs.	2.66	8.47	3.00	.69	4.75	2.75