

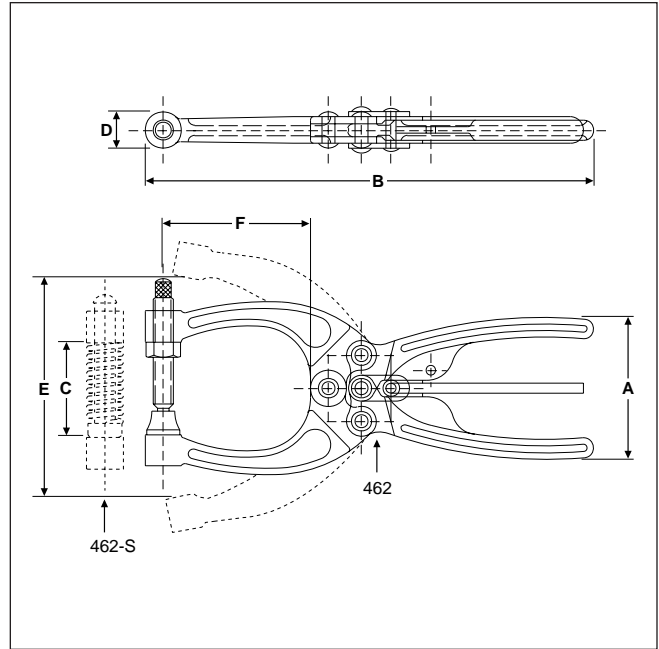
MANUAL CLAMPS

Squeeze Action



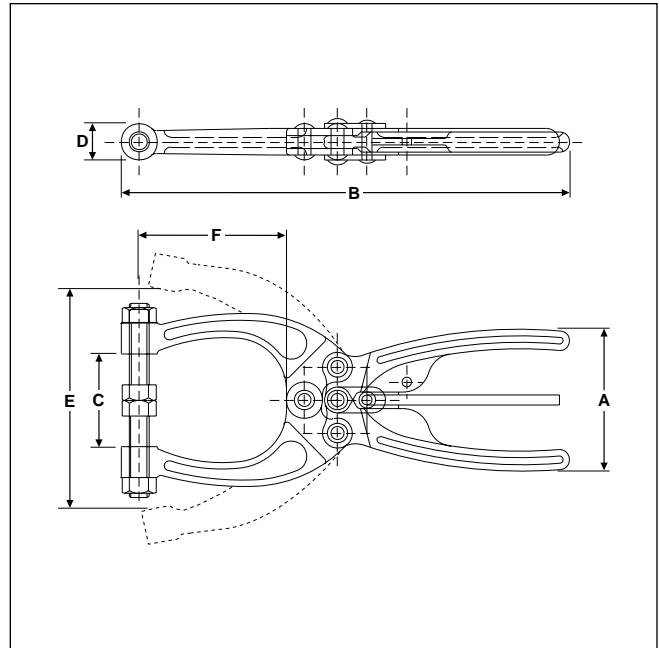
MODELS 462, 462-S

Model 462 is furnished with 3/8-16 swivel-foot adjustment spindle assembly (468206) and two-way trigger release. Model 462-S features a spring-loaded spindle that adjusts automatically to varying thicknesses. Forged alloy steel components and clevis type construction with stainless steel rivets.



MODEL 462-2

Identical to Model 462 except top and bottom jaws furnished with two 3/8-16 hex-head spindle assemblies (491203).



Model No.	EDP No.	Holding Capacity	Weight	Dimensions					
				A	B	C	D	E	F
462	54620	700 lbs.	1.13 lbs.	2.66	8.47	1.75	.69	4.10	2.75
462-S	54626	75 lbs. per 1/8" spring compression	1.13 lbs.	2.66	8.47	1.75	.69	4.10	2.75
462-2	54627	700 lbs.	1.13 lbs.	2.66	8.47	1.75	.69	4.10	2.75