

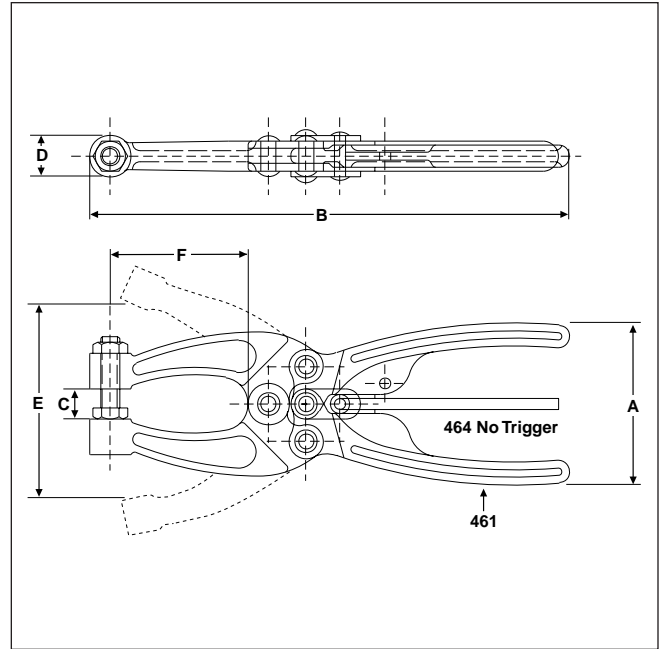
MODELS 461, 464

Narrow jaws - 1/2" span - permit use in restricted space applications. Model 461 has a two-way trigger release and 5/16-18 hex-head spindle assembly (461203). Model 464 is the same clamp but without the trigger release. Clamps are made with forged alloy steel components and stainless steel rivets.



54610
Model 461

54640
Model 464



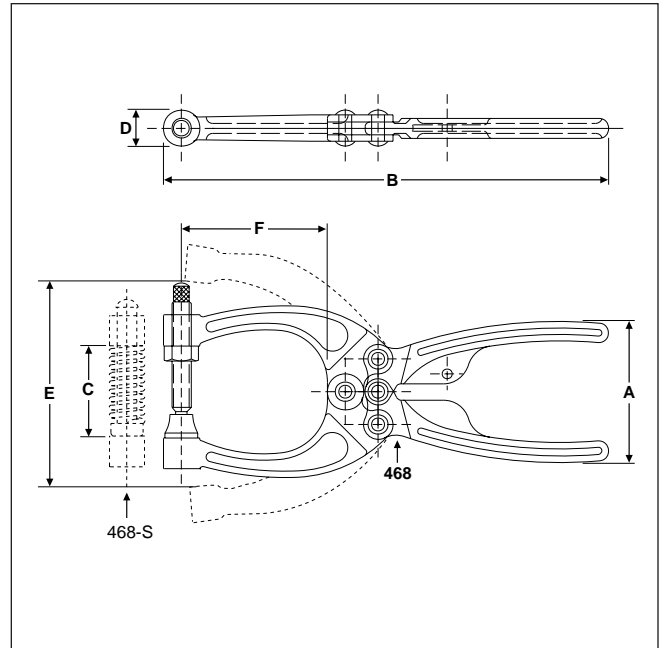
MODELS 468, 468-S

Model 468 is furnished with 3/8-16 swivel-foot adjustment spindle assembly (468206) but does not have a two-way trigger release. Model 468-S features a spring loaded Pressure-Matic spindle that adjusts automatically to varying thicknesses. Forged alloy steel components and clevis type construction with stainless steel rivets.



54680
Model 468

54686
Model 468-S
Pressure-Matic
spindle



Model No.	EDP No.	Holding Capacity	Weight	Dimensions					
				A	B	C	D	E	F
461	54610	700 lbs.	1.18 lbs.	2.63	8.06	.50	.69	2.69	2.28
464	54640	700 lbs.	0.88 lbs.	2.63	8.06	.50	.69	2.69	2.28
468	54680	700 lbs.	1.00 lbs.	2.66	8.47	1.75	.69	4.10	2.75
468-S	54686	75 lbs. per 1/8" spring compression	1.00 lbs.	2.66	8.47	1.75	.69	4.10	2.75