

# MANUAL CLAMPS

Squeeze Action

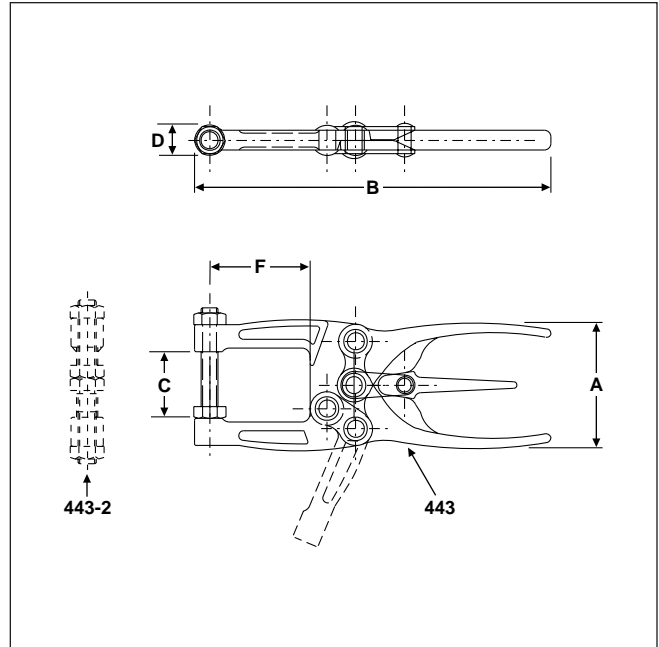


## MODELS 443, 443-2

Similar in size to Series 441, but with much greater holding capacity. Compact design features wide angle (64°) jaw opening. Two-way trigger release is a standard feature. Model 443 comes equipped with 5/16-18 hex-head spindle assembly (441203). Model 443-2 has two 5/16-18 hex-head spindle assemblies (464203).



**54431**  
Model 443-2  
Two adjustable  
spindles

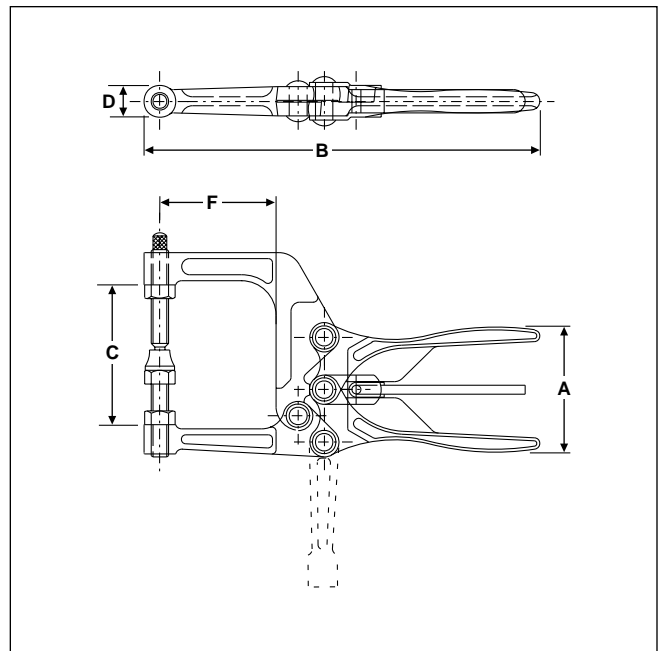


## MODEL 453

Features a special action to provide full 88° clearance in the open position. This is particularly suited for clamping parts and assemblies where fast action and maximum jaw clearance are essential. With two-way trigger release. Clamp supplied with one 3/8-16 swivel foot assembly (468206) and one 3/8-16 hex-head spindle assembly (491203). Components are made of forged alloy steel.



**54530**  
Model 453  
Two adjustable  
spindles



Model No.	EDP No.	Holding Capacity	Weight	Jaw Opens	Dimensions				
					A	B	C	D	F
443	54430	500 lbs.	.75 lbs.	64°	2.34	6.62	1.25	.56	1.88
443-2	54431	500 lbs.	.75 lbs.	64°	2.34	6.62	1.25	.56	1.88
453	54530	1000 lbs.	1.87 lbs.	88°	2.69	8.50	3.00	.69	2.50