

MANUAL CLAMPS

Squeeze Action

SERIES 424

Smallest of the forged alloy steel squeeze action clamps. Model 424 has a single 1/4-20 adjustable neoprene-tipped spindle assembly (424208). Model 424-2 has two 1/4-20 neoprene-tipped spindle assemblies (431208). Also available in aluminum as Model 424-AL.



54240
Model 424

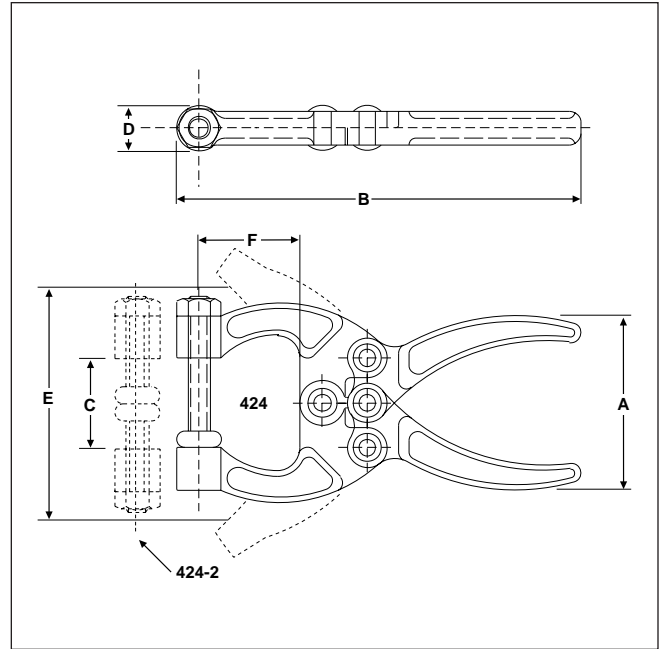
54247

Model 424-2
Two adjustable
spindles



54248

Model 424-AL
With high
strength forged
aluminum jaws



SERIES 441

Available in three different versions: Model 441 with 5/16-18 hex-head adjustment spindle assembly (441203), and Model 441-2 with two adjustable spindle assemblies (461203). Both of these models are made from forged alloy steel. Also available in aluminum as Model 441-AL.



54410
Model 441

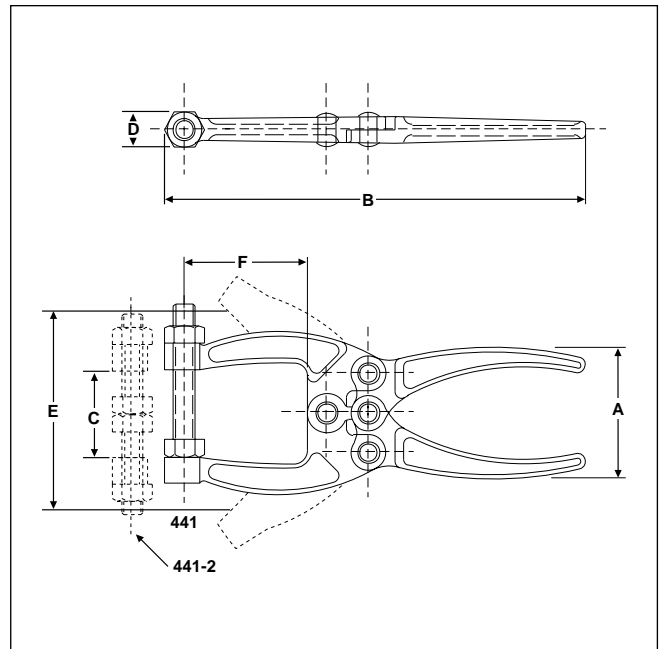
54417

Model 441-2
Two adjustable spindles



54418

Model 441-AL
With high strength forged aluminum jaws



Model No.	EDP No.	Holding Capacity	Weight	Dimensions					
				A	B	C	D	E	F
424	54240	200 lbs.	.31 lbs.	1.94	4.50	1.00	.50	2.06	1.08
424-2	54247	200 lbs.	.31 lbs.	1.94	4.50	1.00	.50	2.06	1.08
424-AL	54248	100 lbs.	.16 lbs.	1.94	4.50	1.00	.50	2.06	1.08
441	54410	350 lbs.	.63 lbs.	1.84	6.00	1.25	.50	2.86	1.75
441-2	54417	350 lbs.	.63 lbs.	1.84	6.00	1.25	.50	2.86	1.75
441-AL	54418	150 lbs.	.22 lbs.	1.84	6.00	1.25	.50	2.86	1.75