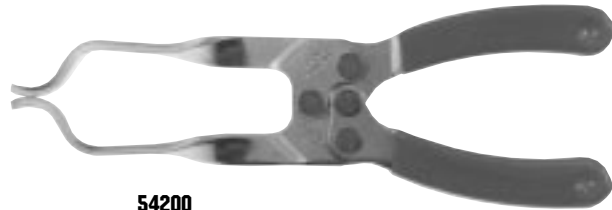


MANUAL CLAMPS

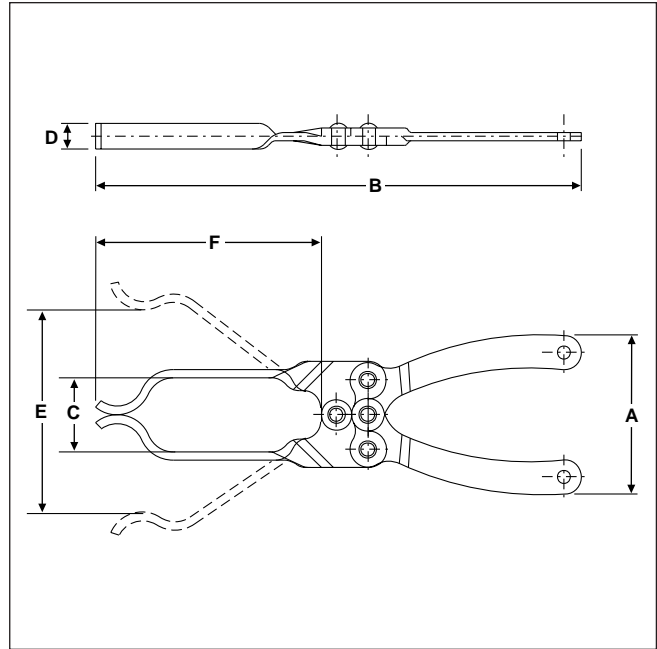
Squeeze Action

MODEL 420

Tempered spring-steel jaws require no adjustment. Standard jaws are preset to deflect 1/8" for minimum thickness work piece with a capacity to 3/8". Jaws preset to other thicknesses are available. Furnished with red vinyl grips.



54200
Model 420

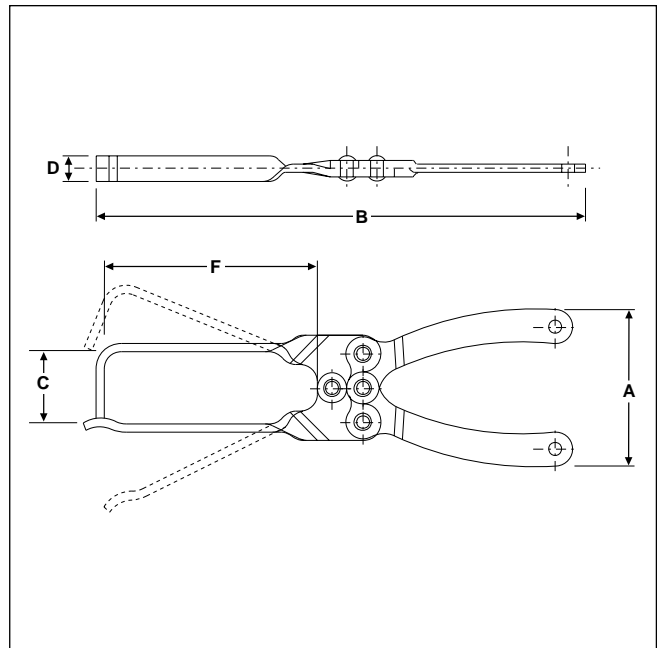


MODEL 421

Same as Model 420 except that the jaws are adaptable to holding flanged parts. Holding capacity is sufficient for typical drilling or soldering operations even when parts vary in thickness.



54210
Model 421



Model No.	EDP No.	Holding Capacity	Weight	Dimensions					
				A	B	C	D	E	F
420	54200	35 lbs. per 1/8" deflection	.27 lbs.	2.31	7.00	1.06	.38	2.05	3.25
421	54210	35 lbs. per 1/8" deflection	.27 lbs.	2.31	7.19	1.06	.38	—	3.25