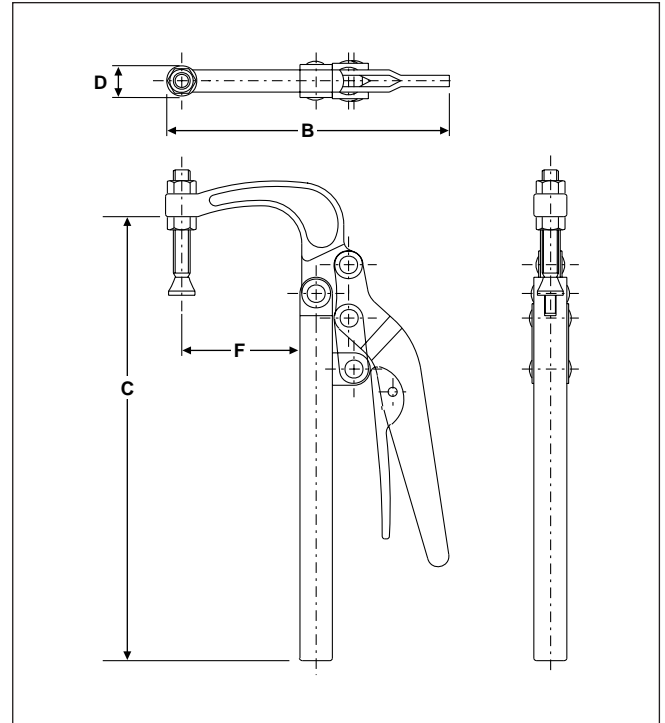




MODEL 345

Designed for bolting or welding to a fixture at any point along base. Or base can be cut off for end-welding. Model 345 has forged steel jaw with 3/8-16 swivel foot spindle assembly (468206).

53450
Model 345



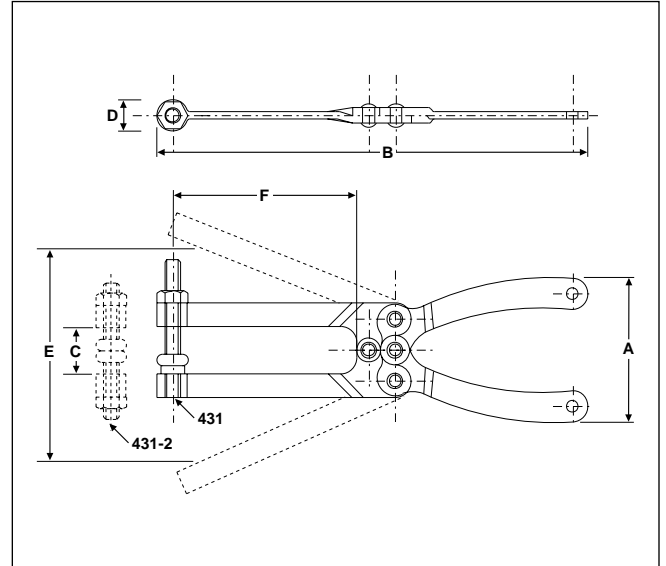
MODELS 431, 431-2

Tempered spring-steel jaws have exceptional 2 15/16" jaw depth. Model 431 has a single adjustment neoprene-tipped spindle assembly (424208). Model 431-2 has two 1/4-20 adjustable neoprene-tipped spindle assemblies (431208).



54310
Model 431

54317
Model 431-2
Two adjustable
spindles



Model No.	EDP No.	Holding Capacity	Weight	Jaw Opens	Handle Moves	Dimensions					
						A	B	C	D	E	F
345	53450	800 lbs.	2.52 lbs.	86°	60°	—	6.38	10.13	.69	—	2.69
431	54310	100 lbs.	.30 lbs.	—	—	2.41	6.88	.75	.46	3.06	2.94
431-2	54317	100 lbs.	.30 lbs.	—	—	2.41	6.88	.75	.46	3.06	2.94