

# MANUAL CLAMPS

Squeeze Action

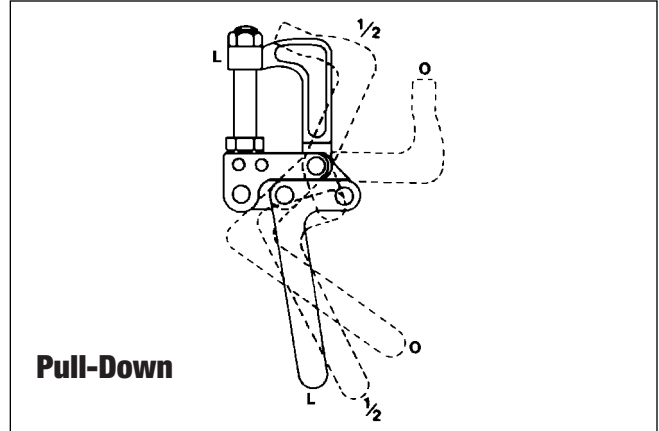
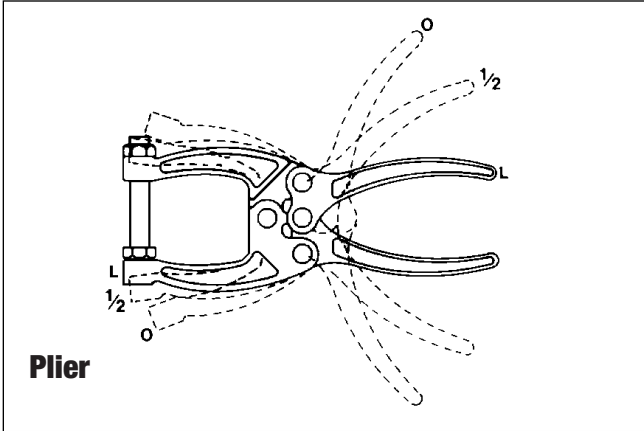


## SPECIAL APPLICATION SQUEEZE ACTION CLAMPS

Most medium and heavy-duty squeeze action plier clamps feature the DE-STA-CO trigger release for easy one-hand opening. All forged models are heat-treated alloy steel, machined to DE-STA-CO exacting tolerances.

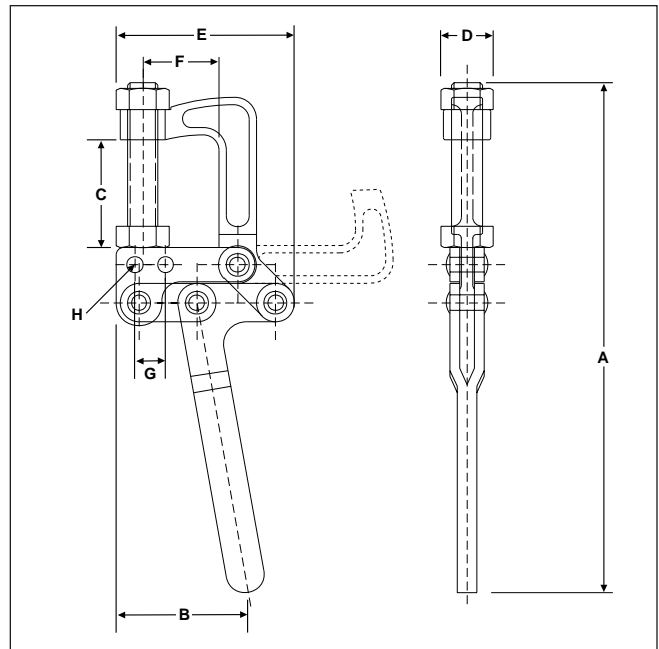
### STATUS OF HANDLE AND BAR

L = Locked O = Opened 1/2 = Intermediate Position



## MODEL 325

Designed for attachment by welding front or top of base to container or cover. Forged alloy steel jaw moves 90° to clear completely. Ergonomic handle grip provides easy operation and good looking appearance. Furnished with 1/2-13 hex-head spindle assembly (325203).



### ALSO AVAILABLE

In Stainless Steel Model 325-SS Page 67

Model No.	EDP No.	Holding Capacity	Weight	Jaw Opens	Handle Moves	Dimensions							
						A	B	C	D	E	F	G	H
325	53250	800 lbs.	1.18 lbs.	90°	50°	8.39	2.06	1.78	.75	2.94	1.25	.50	.27