

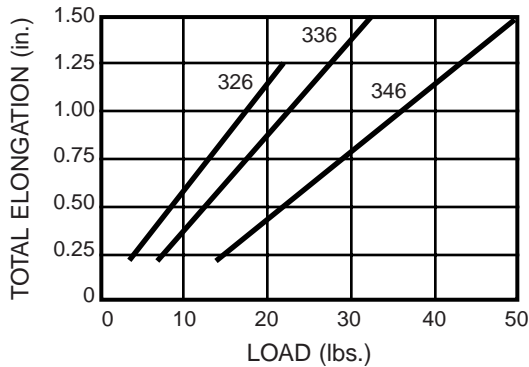
### MODELS 326, 336, 346

DE-STA-CO "T" handle rubber latches provide vibration and sound dampening and compensation for severe misalignment. The latch handle is made of an ozone resistant synthetic rubber and the base and keeper are formed of passivated stainless steel. Operation is easy: simply pull on handle and stretch to slide bulb of rubber handle into the keeper.

- Automatically compensates for misalignment
- Dampens vibration
- Dampens sound
- Easy to operate
- Ozone resistant synthetic rubber
- Durometer 70 ± 5
- Stainless steel (passivated) components
- Three models
- Low cost
- Max. temperature rating 250° F (121°C)

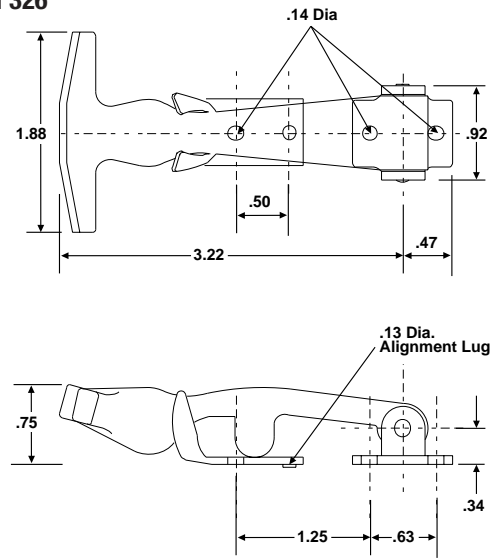


LOAD DEFLECTION CHART

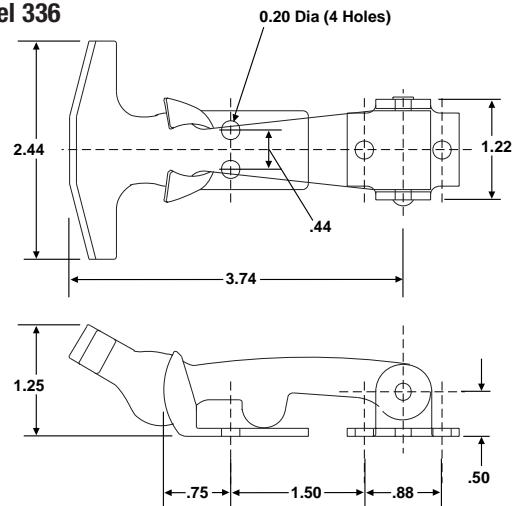


Model No.	EDP No.	Holding Capacity	Weight
326	53260	8 lbs.	.07 lbs.
336	53360	12 lbs.	.16 lbs.
346	53460	25 lbs.	.36 lbs.

Model 326



Model 336



Model 346

