

# MANUAL CLAMPS

Pull Action

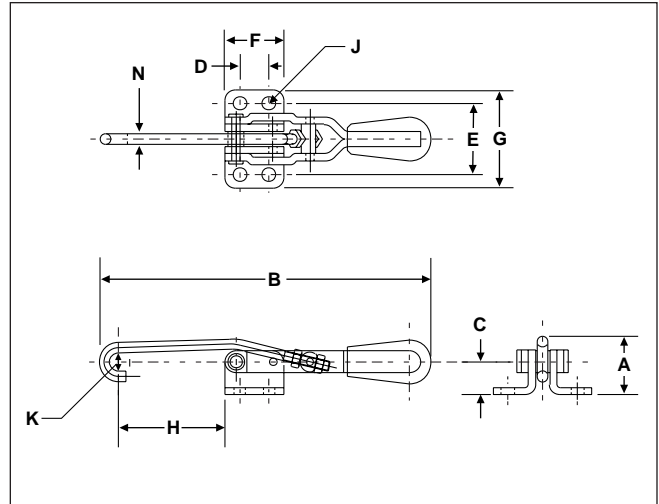


## MODEL 330

Models 330 and 330-SS are the smallest in our line of pull action clamps. As with Models 351, 371, and 381 these clamps can be used in a variety of latching operations. With the base bolted or welded in place, these compact units can be used for latching pressure vessels, clean-out doors, etc., and can be fit into tight areas where space is a limitation. The pull bar is threaded for easy adjustment, and the handle is supplied with an ergonomically contoured grip. Model 330-SS is the stainless steel version.



**53300**  
Model 330



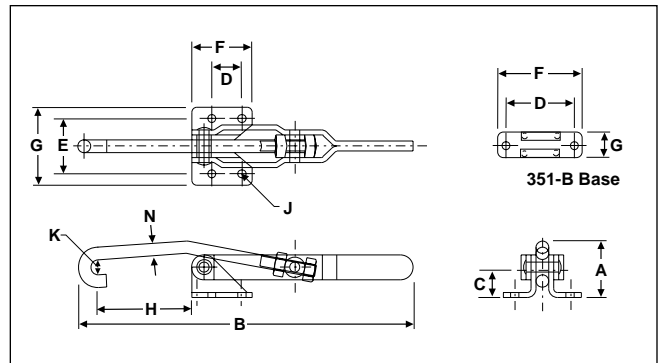
**ALSO AVAILABLE**  
In Stainless Steel Model 330-SS Page 67

## SERIES 351, 371, 381

The pull actions of Models 351, 371, and 381 are excellent for many types of latching operations. With base bolted or welded in place, unit can be used for latching pressure vessels, clean-out doors, etc. Pull bar is threaded for convenient adjustment. Furnished with red vinyl grip on Model 351, and an ergonomic handle grip on Models 371 and 381.

**ALSO AVAILABLE**

As **Toggle-Lock Plus** Models 351-R, 371-R Page 64  
In **Stainless Steel** Models 351-BSS, 351-SS Page 67  
Models 371-SS, 381-SS Page 67



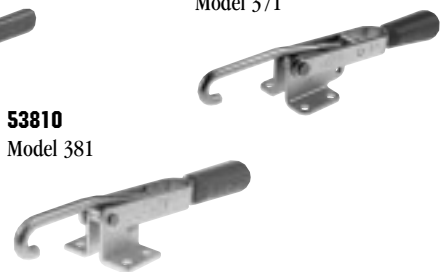
**53510**  
Model 351

**53515**  
Model 351-B

**53710**  
Model 371



**53810**  
Model 381



Model No.	EDP No.	Holding Capacity	Weight	Drawing Movement	Hook Adjustment	Dimensions										
						A	B*	C	D	E	F	G	H	J	K	N
330	53300	200 lbs.	0.24 lbs.	2.31"	.19"	1.00	5.56	.56	.50	1.22	1.00	1.69	1.75	.22	.31	.19
351	53510	375 lbs.	0.61 lbs.	4.00"	.34"	1.44	8.56	.75	.75	1.38	1.50	1.94	2.22	.20	.44	.31
351-B	53515	375 lbs.	0.61 lbs.	4.00"	.34"	1.44	8.56	.86	1.50	—	2.00	.56	2.22	.27	.44	.31
371	53710	750 lbs.	1.53 lbs.	5.38"	.81"	2.19	12.00	1.42	1.25	1.94	1.94	2.63	2.88	.34	.50	.38
381	53810	1000 lbs.	2.56 lbs.	6.13"	.75"	2.63	13.28	1.81	1.13	2.38	2.13	3.38	3.10	.41	.63	.50

\* Maximum Dimension