

MANUAL CLAMPS

Pull Action

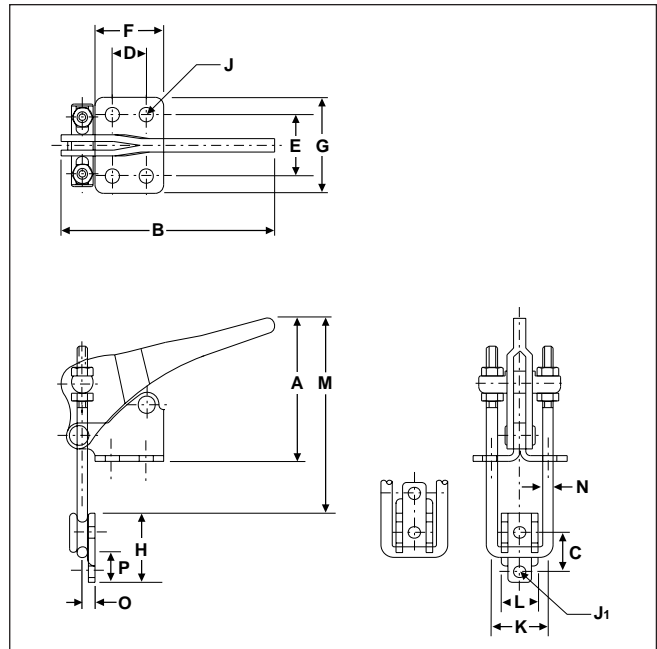


MODELS 324,334, 344,374

The over-center toggle locking action of these clamps suits them ideally for holding against heavy forces such as those generated in plastic molding operations. These models are ideal for quick clamping of doors, lids, or access covers onto drums, containers, or other vessels. The threaded U-bolts permit easy adjustment and provide a positive connection with the supplied latch plate. These vertical latch clamps are ideal for installations where it is preferable to mount the clamp on the lid and the latch plate on the vessel. All models are supplied with ergonomic handle grip.

ALSO AVAILABLE

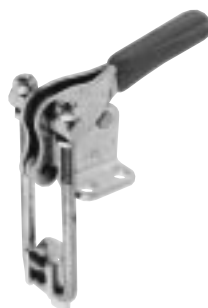
In Stainless Steel Models 324-SS, 334-SS Page 67
Models 344-SS, 374-SS Page 67



53240
Model 324



53340
Model 334



53440
Model 344



53740
Model 374



Model No.	EDP No.	Holding Capacity	Weight	Drawing Movement	Hook Adjustment	Dimensions															
						A	B	C	D	E	F	G	H	J	J ₁	K	L	M*	N	O	P
324	53240	500 lbs.	.25 lbs.	1.53"	.63"	2.00	3.18	.56	.50	.88	1.00	1.38	1.00	.20	.17	.81	.53	2.69	.14	.19	.63
334	53340	1000 lbs.	.60 lbs.	2.00"	.69"	2.44	4.10	.81	.75	1.00	1.31	1.56	1.50	.28	.22	1.13	.69	3.69	.25	.34	.69
344	53440	2000 lbs.	1.50 lbs.	2.50"	1.19"	3.13	5.21	1.03	1.25	1.44	1.94	2.13	2.13	.34	.34	1.75	1.19	5.31	.31	.50	1.25
374	53740	4000 lbs.	2.10 lbs.	1.75"	.75"	3.25	5.69	.56	1.25	1.50	2.50	2.50	2.72	.41	.25	1.63	1.13	4.94	.38	.56	.75

* Maximum Dimension