

MANUAL CLAMPS

Pull Action

MODELS 323, 331, 341

The over-center toggle locking action of these clamps suits them ideally for holding against heavy forces such as those generated in plastic molding operations. These models are ideal for quick clamping of doors, lids, or access covers onto drums, containers, or other vessels. The threaded U-bolts permit easy adjustment and provide a positive connection with the supplied latch plate. All models are supplied with ergonomic handle grip.



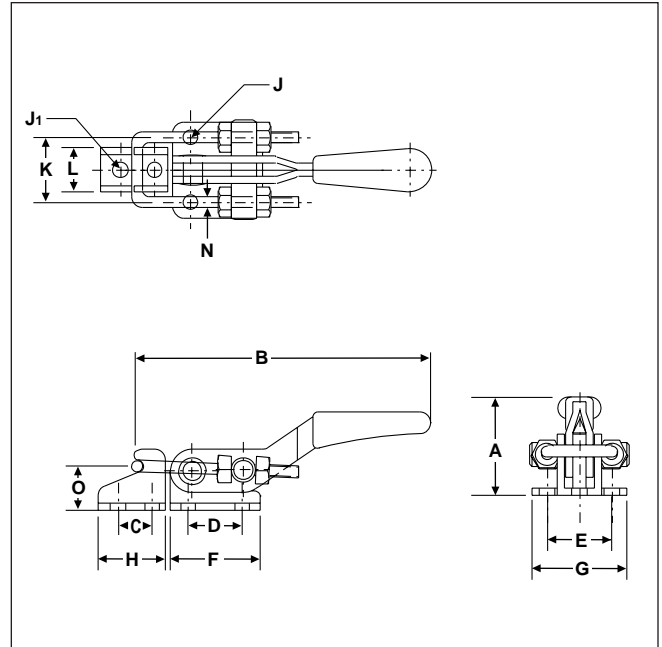
53230
Model 323



53310
Model 331



53410
Model 341



ALSO AVAILABLE

As Toggle-Lock Plus	Models 331-R, 341-R	Page 63
In Stainless Steel	Model 323-MSS	Page 67
	Models 331-SS, 331R-SS	Page 67
	Models 341-R-SS, 341-SS	Page 67

Model No.	EDP No.	Holding Capacity	Weight	Drawing Movement	Hook Adjustment	Dimensions													
						A	B*	C	D	E	F	G	H	J	J ₁	K	L	N	O
323	53230	360 lbs.	.15 lbs.	1.81"	.39"	1.14	3.47	.39	.63	.75	1.03	1.11	.78	.17	.17	.75	.52	.13	.47
331	53310	700 lbs.	.56 lbs.	1.75"	.31"	1.78	5.97	.56	.75	1.25	1.56	1.75	1.00	.27	.27	1.00	.69	.19	.66
341	53410	2000 lbs.	1.43 lbs.	2.50"	.56"	2.78	7.50	.75	1.63	1.50	2.38	2.13	1.50	.33	.33	1.75	1.19	.31	.94

* Minimum Dimension