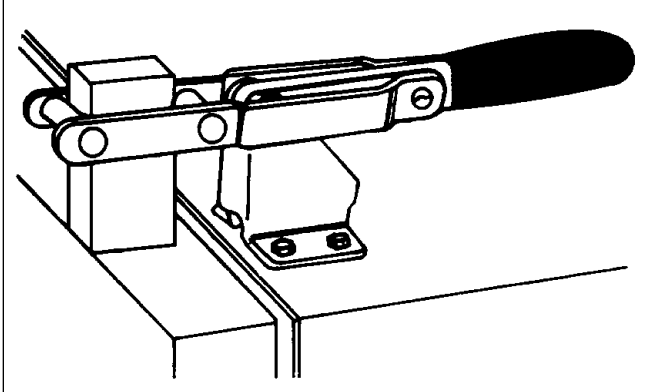


MANUAL CLAMPS

Pull Action

Application Note:

For all pull action models, the latch point must be below the centerline of the two pivot points in the clamp assembly to allow proper toggle lock action.

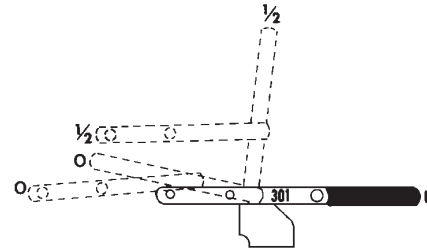


For Original Equipment.

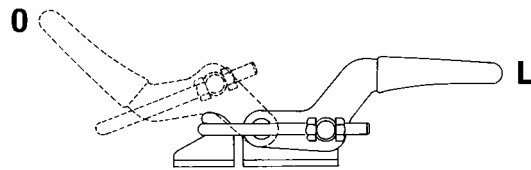
For sealing chamber doors or mold closures, the latch clamps provide a powerful closing force, positive holding and convenient operation.

STATUS OF HANDLE AND BAR

L = Locked 0 = Opened 1/2 = Intermediate Position



One hand is used to engage or disengage the latch bar while the other moves the handle.



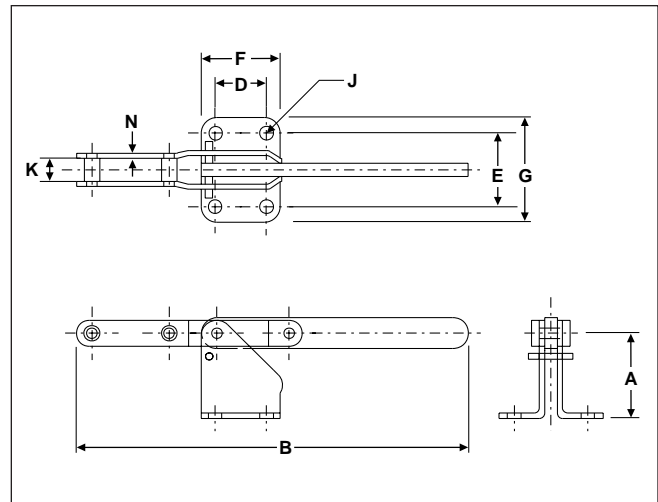
The "hook" or "U-bolt" type latch clamp operates the same way but offers an adjustment feature because of the threaded hook.

MODELS 301, 311

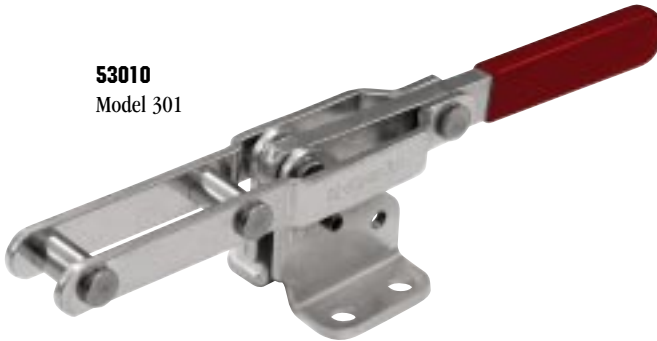
Latch-type pull action clamps with red vinyl handle for comfortable operation. A fixed stop automatically limits handle travel at various clamping positions once the clamp is installed, removing the need to adjust a manual stop. Model 301 has 4" drawing movement and the larger Model 311 has 3 3/8".

ALSO AVAILABLE

In Stainless Steel Model 301-SS Page 67



53010
Model 301



53110
Model 311



Model No.	EDP No.	Holding Capacity	Weight	Drawing Movement	Dimensions								
					A	B	D	E	F	G	J	K	N
301	53010	375 lbs.	0.70 lbs.	4.00"	1.63	8.36	.75	1.25	1.38	1.75	.28	.56	.13
311	53110	1200 lbs.	1.16 lbs.	3.38"	2.06	9.63	1.25	1.78	1.91	2.53	.33	.56	.13