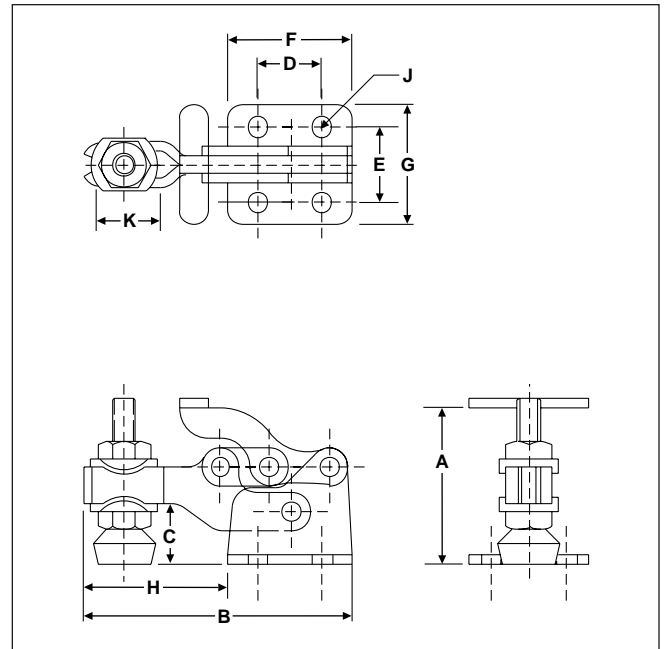


SERIES 305, 307, 309

These low silhouette hold-down clamps feature an unusual handle that can be operated from either side or from behind. These small, compact units provide considerable holding capacity in a small package size. All models provided with red vinyl handle grip and flanged washers. Models 305-U and 307-U are supplied with neoprene-tipped spindle assemblies. Model 309-U and all stainless steel models are provided with hex-head spindle assemblies. Model 309-U provided with slip-on neoprene cap (235119).

ALSO AVAILABLE

In Stainless Steel Models 305-USS, 307-USS Page 67
Model 309-USS Page 67



53050

Model 305-U
"U" Bar
Flanged
Base



53070

Model 307-U
"U" Bar
Flanged
Base



53090

Model 309-U
"U" Bar
Flanged
Base



Model No.	EDP No.	Flanged Washer	Spindle Assembly
305-U	53050	102111	201208
307-U	53070	507107	225208
309-U	53090	235105	309208

Model No.	EDP No.	Holding Capacity	Weight	Handle Moves	Bar Opens	Dimensions									
						A	B	C	D	E	F	G	H	J	K
305-U	53050	150 lbs.	.13 lbs.	175°	92°	1.41	2.25	.50	.53	.63	1.03	1.00	1.22	.17	.50
307-U	53070	350 lbs.	.54 lbs.	175°	92°	2.38	3.61	.88	.91	1.16	1.72	1.81	1.89	.28	.75
309-U	53090	750 lbs.	1.30 lbs.	160°	88°	3.53	5.19	1.31	1.38	1.50	2.52	2.47	2.74	.33	1.06