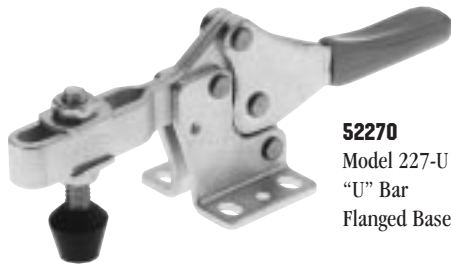
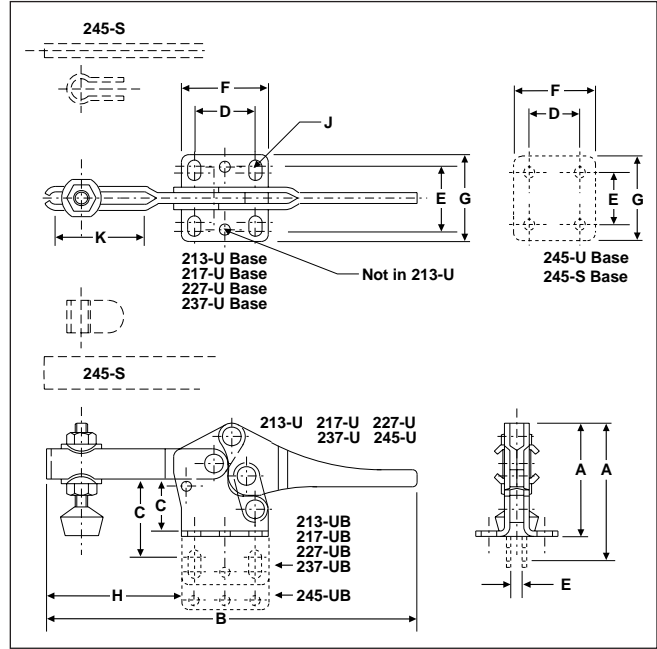


### SERIES 213, 217, 227, 237, 245

These models offer a combination of safety design and a patented bar guide feature. The bar guide gives extra lateral support and rigidity to the hold-down bar at the front of the base. The units are designed to give more hand clearance between the bar and handle when the clamps are in the full open position. Models 213 through 237 are supplied with neoprene-tipped spindle assemblies, flanged washers, and ergonomic handle grips. The solid bar on Models 245-S and 245-SB is of a 2-piece welded construction. All 245 Models and all stainless steel models are supplied with a hex-head spindle assembly.

#### ALSO AVAILABLE

In Stainless Steel Models 213-USS, 217-USS Page 67  
 Models 227-USS, 237-USS Page 67  
 Model 245-USS Page 67



**52270**  
 Model 227-U  
 "U" Bar  
 Flanged Base

**52170**  
 Model 217-U  
 "U" Bar  
 Flanged  
 Base



**52171**  
 Model 217-UB  
 "U" Bar  
 Straight  
 Base



**52270**  
 Model 227-U  
 "U" Bar  
 Flanged  
 Base



**52130**  
 Model 213-U  
 "U" Bar  
 Flanged Base



**52131**  
 Model 213-UB  
 "U" Bar  
 Straight  
 Base



**52371**  
 Model 237-UB  
 "U" Bar  
 Straight Base



**52451**  
 Model 245-S  
 Solid Bar  
 Flanged  
 Base



**52456**  
 Model 245-SB  
 Solid Bar  
 Straight  
 Base



**52271**  
 Model 227-UB  
 "U" Bar  
 Straight  
 Base



**52370**  
 Model 237-U  
 "U" Bar  
 Flanged  
 Base



**52450**  
 Model 245-U  
 "U" Bar  
 Flanged  
 Base



**52455**  
 Model 245-UB  
 "U" Bar  
 Straight  
 Base



Model No.	EDP No.	Holding Capacity	Weight	Handle Moves	Bar Opens	Flanged Washer	Spindle Assembly	Base	Bar	Dimensions									
										A	B	C	D	E	F	G	H	J	K
213-U	52130	150 lbs.	.17 lbs.	60°	90°	102111	201208	F	U	1.36	3.94	.75	.53	.69	1.00	1.06	1.39	.17	.84
213-UB	52131	150 lbs.	.17 lbs.	60°	90°	102111	201208	B	U	1.76	3.94	1.15	.53	.14	1.00	—	1.39	.17	.84
217-U	52170	200 lbs.	.40 lbs.	76°	92°	215105	202208	F	U	1.97	6.30	.97	1.03	1.15	1.47	1.57	2.32	.22	1.50
217-UB	52171	200 lbs.	.40 lbs.	76°	92°	215105	202208	B	U	2.34	6.30	1.34	1.03	.20	1.47	—	2.32	.22	1.50
227-U	52270	500 lbs.	.68 lbs.	62°	92°	507107	225208	F	U	2.39	7.24	1.31	1.03	1.23	1.56	1.72	2.68	.27	1.50
227-UB	52271	500 lbs.	.68 lbs.	62°	92°	507107	225208	B	U	2.69	7.24	1.61	1.03	.25	1.56	—	2.68	.27	1.50
237-U	52370	750 lbs.	1.60 lbs.	63°	92°	235106	240208	F	U	3.11	10.57	1.77	1.63	1.69	2.25	2.25	4.07	.34	2.75
237-UB	52371	750 lbs.	1.60 lbs.	63°	92°	235106	240208	B	U	3.53	10.57	2.19	1.63	.31	2.25	—	4.07	.34	2.75
245-S	52451	1000 lbs.	2.99 lbs.	67°	105°	247109	220203	F	S*	4.35	12.38	2.31	1.63	1.63	2.63	2.63	5.00	.33	—
245-SB	52456	1000 lbs.	2.99 lbs.	67°	105°	247109	220203	B	S*	5.15	12.38	2.61	1.63	.38	2.63	—	5.00	.33	—
245-U	52450	1000 lbs.	2.90 lbs.	67°	105°	247109	220203	F	U	4.35	12.25	2.31	1.63	1.63	2.63	2.63	4.88	.33	3.03
245-UB	52455	1000 lbs.	2.90 lbs.	67°	105°	247109	220203	B	U	5.15	12.25	2.61	1.63	.38	2.63	—	4.88	.33	3.03

\*For Models 245-S and 245-SB use Bolt Retainer 250121. B=Straight Base, F=Flanged Base, S=Solid Bar, U="U" Bar