

### SERIES 225

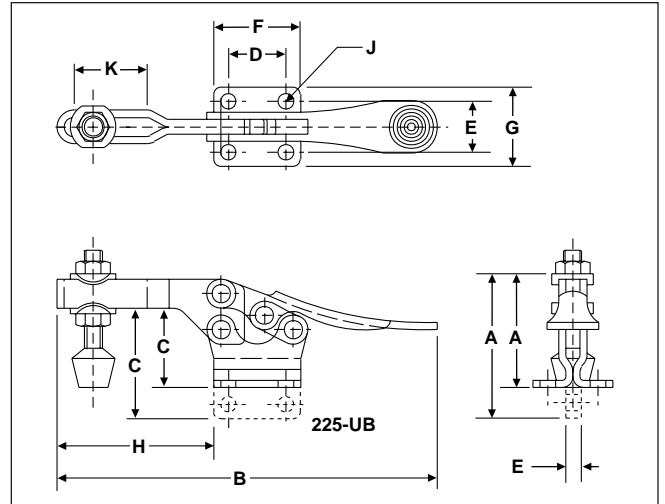
Gives increased holding capacity resulting in greater rigidity and better all-around performance. Clamps are furnished with 5/16-18 bonded neoprene spindle assembly (225208) and flanged washers (507107). Model 225-UB has a straight base. Red vinyl handle grip provided on non-stainless steel models. Stainless steel models supplied with hex-head spindle assembly (207943).



**52250**  
Model 225-U  
"U" Bar  
Flanged Base



**52255**  
Model 225-UB  
"U" Bar  
Straight Base

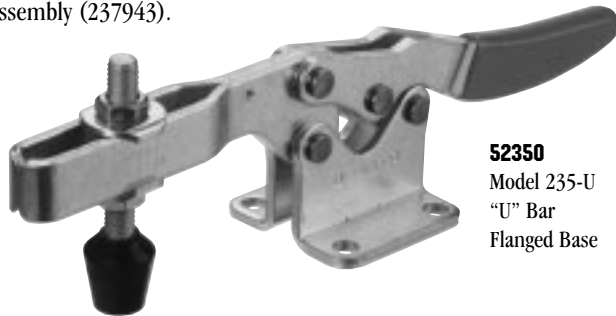


#### ALSO AVAILABLE

As Toggle-Lock Plus Model 225-R Page 62  
In Stainless Steel Model 225-UBSS Page 67  
Model 225-USS Page 67

### SERIES 235

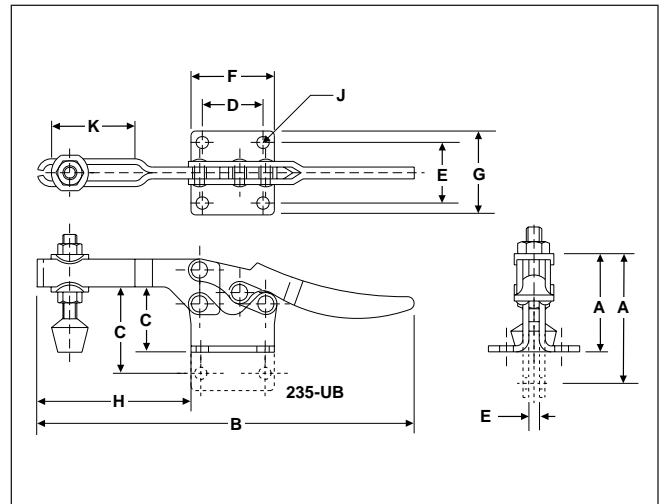
A heavier version of Series 225. Equipped with a red vinyl handle, 3/8-16 bonded neoprene-tipped spindle assembly (240208), and flanged washers (235106). Model 235-UB with straight base is also available. Stainless steel models supplied with hex-head spindle assembly (237943).



**52350**  
Model 235-U  
"U" Bar  
Flanged Base



**52355**  
Model 235-UB  
"U" Bar  
Straight Base



#### ALSO AVAILABLE

As Toggle-Lock Plus Model 235-R Page 62  
In Stainless Steel Model 235-UBSS Page 67  
Model 235-USS Page 67

Model No.	EDP No.	Holding Capacity	Weight	Handle Moves	Bar Opens	Dimensions									
						A	B	C	D	E	F	G	H	J	K
225-U	52250	500 lbs.	.55 lbs.	70°	90°	1.84	6.67	1.34	1.00	.88	1.50	1.38	2.80	.27	1.38
225-UB	52255	500 lbs.	.55 lbs.	70°	90°	2.13	6.67	1.63	1.00	—	1.50	—	2.80	.27	1.38
235-U	52350	750 lbs.	1.47 lbs.	55°	90°	2.50	10.22	1.75	1.63	1.63	2.25	2.25	4.48	.33	2.38
235-UB	52355	750 lbs.	1.47 lbs.	55°	90°	2.91	10.22	2.16	1.63	.31	2.25	—	4.48	.33	2.38