

MANUAL CLAMPS

Hold-Down Action

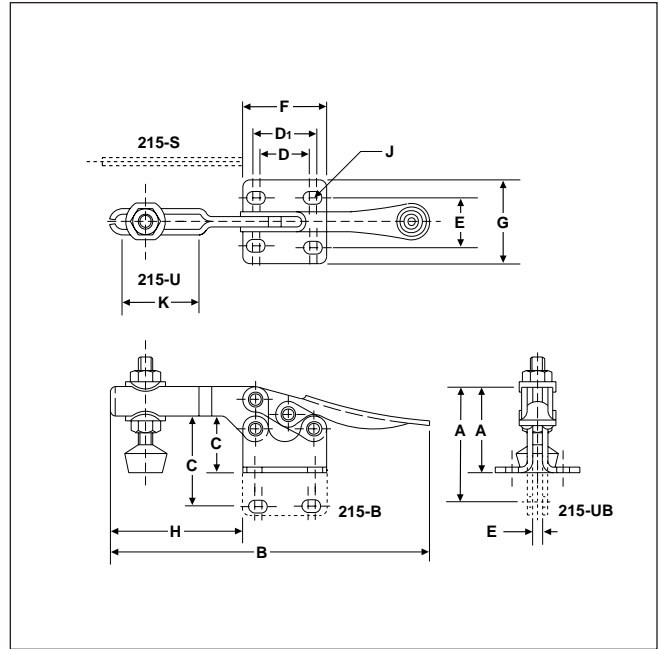


SERIES 215

Minimum overhead clearance is required by this low silhouette series. All models furnished with 1/4-20 bonded neoprene-tipped spindle assembly (202208), washers (215105) for "U" bar models, or bolt retainer (205105) for solid bar models. Series 215 clamps are less than 1 1/2" in overall height when closed. Red vinyl handle grip provided on non-stainless steel models. Stainless steel models supplied with hex-head spindle assembly (202943).



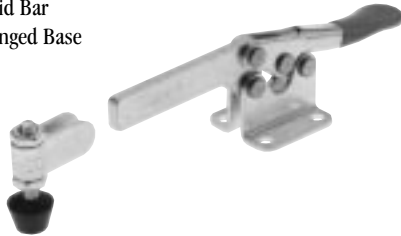
52150
Model 215-U
"U" Bar
Flanged Base



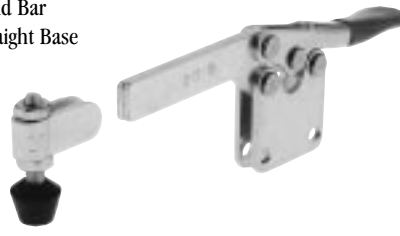
ALSO AVAILABLE

In Stainless Steel	Model 215-USS	Page 67
	Model 215-UBSS	Page 67

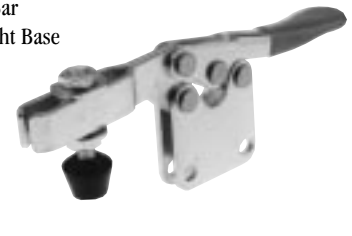
52151
Model 215-S
Solid Bar
Flanged Base



52156
Model 215-SB
Solid Bar
Straight Base



52155
Model 215-UB
"U" Bar
Straight Base



Model No.	EDP No.	Holding Capacity	Weight	Handle Moves	Bar Opens	Dimensions										
						A	B	C	D	D ₁	E	F	G	H	J	K
215-S	52151	200 lbs.	.34 lbs.	70°	90°	1.53	5.50	1.03	1.00	1.06	.88	1.44	1.27	2.31	.20	—
215-SB	52156	200 lbs.	.34 lbs.	70°	90°	1.78	5.50	1.28	1.00	1.06	.19	1.44	—	2.31	.20	—
215-U	52150	200 lbs.	.32 lbs.	70°	90°	1.53	5.50	1.03	1.00	1.06	.88	1.44	1.27	2.31	.20	1.25
215-UB	52155	200 lbs.	.32 lbs.	70°	90°	1.78	5.50	1.28	1.00	1.06	.19	1.44	—	2.31	.20	1.25