

MANUAL CLAMPS

Hold-Down Action



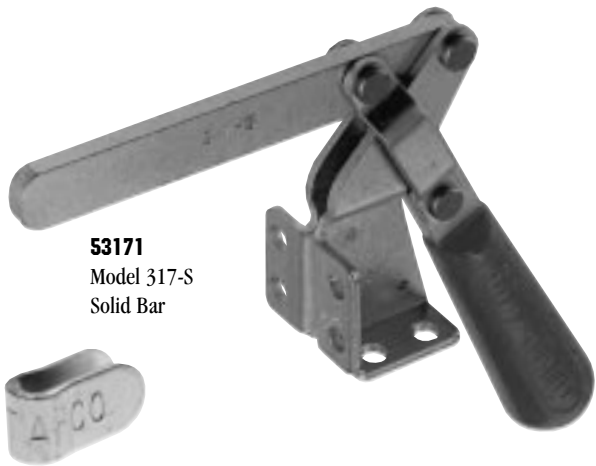
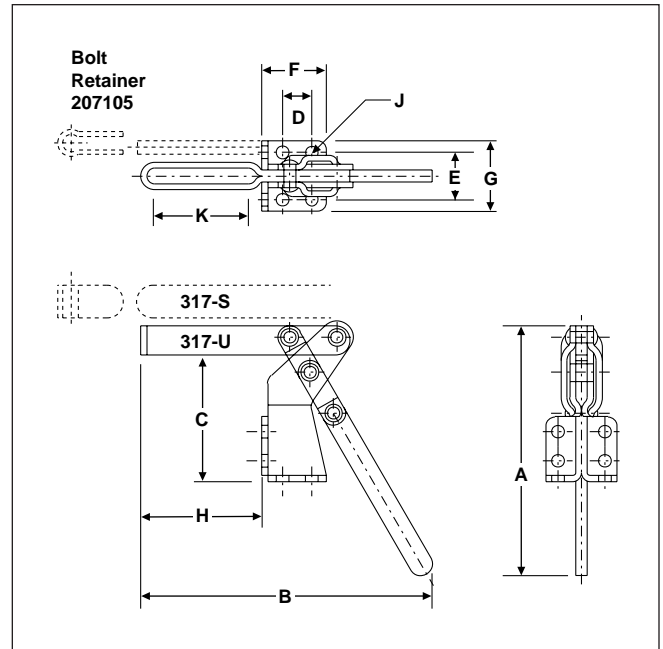
DE-STA-CO
A DOVER RESOURCES COMPANY

SERIES 317

Low silhouette and mounting flexibility provides maximum ease of part loading and unloading. When opened, the bar completely clears work area. In addition, solid bar Model 317-S is supplied with a bolt retainer (207105), and accommodates any 5/16" spindle assembly (not included). Model 317-U with "U" bar, 5/16-18 bonded neoprene-tipped spindle assembly (507208), and flanged washers (507107) is also available. See pages 69-73 for accessories. Ergonomic handle grips are provided for greater operator comfort.

ALSO AVAILABLE

As Air/Hydraulic Models 817-S, 817-U Page 110



Model No.	EDP No.	Holding Capacity	Weight	Handle Moves	Bar Opens	Dimensions									
						A	B	C	D	E	F	G	H	J	K
317-S	53171	375 lbs.	.75 lbs.	60°	185°	5.44	6.44	2.69	.63	1.00	1.38	1.50	3.19	.27	—
317-U	53170	375 lbs.	.75 lbs.	60°	185°	5.44	5.78	2.69	.63	1.00	1.38	1.50	2.63	.27	2.00