

MANUAL CLAMPS

Hold-Down Action



SERIES 250, 258

Both models have same heavy-duty components. Bolt retainer (250121) furnished with both models. Model 258 includes separate base assembly. Also available with guided bar feature as 250-G and 258-G. Ergonomic handle grip supplied for greater operator comfort. Accommodates any 3/8" spindle assembly (not included). See pages 69-73 for accessories.

52501
Model 250
Solid Bar
Flanged Base



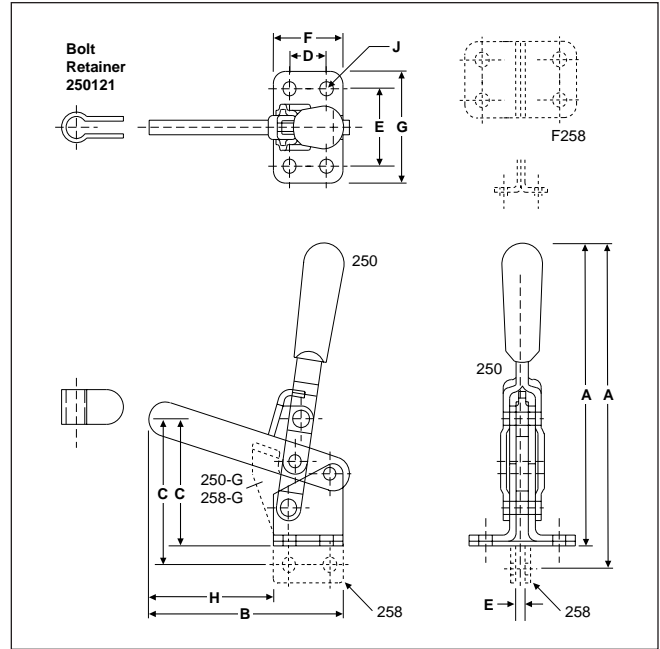
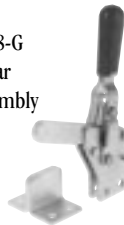
52507
Model 250-G
Guided Bar



52581
Model 258
Solid Bar
Base Assembly
(F258)
Included



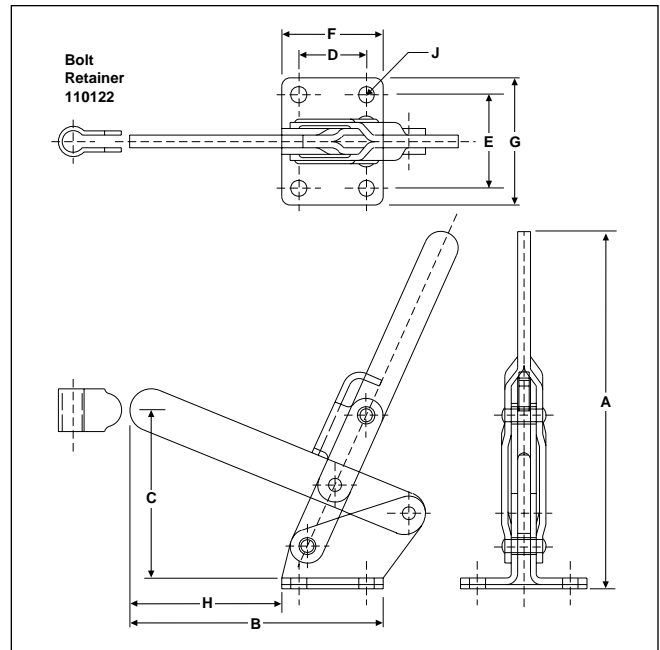
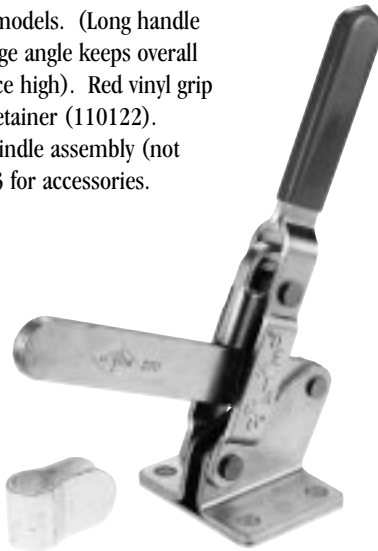
52585
Model 258-G
Guided Bar
Base Assembly
(F258)
Included



MODEL 270

Largest of the angular-bar models. (Long handle increases leverage yet linkage angle keeps overall height low and bar clearance high). Red vinyl grip furnished along with bolt retainer (110122). Accommodates any 5/8" spindle assembly (not included). See pages 69-73 for accessories.

52701
Model 270
Solid Bar
Flanged Base



Model No.	EDP No.	Holding Capacity	Weight	Handle Moves	Bar Opens	Dimensions									
						A	B	C	D	E	F	G	H	J	
250	52501	1000 lbs.	2.50 lbs.	68°	109°	8.43	6.06	3.75	1.13	2.25	2.13	3.25	3.93	.41	
250-G	52507	1000 lbs.	2.66 lbs.	68°	109°	8.43	6.06	3.75	1.13	2.25	2.13	3.25	3.93	.41	
258	52581	1000 lbs.	2.94 lbs.	68°	109°	8.95	6.06	4.28	1.13	.38	2.13	—	3.93	.41	
258-G	52585	1000 lbs.	3.10 lbs.	68°	109°	8.95	6.06	4.28	1.13	.38	2.13	—	3.93	.41	
270	52701	1200 lbs.	4.18 lbs.	77°	152°	10.50	7.50	5.25	2.00	2.75	3.00	3.75	4.50	.59	