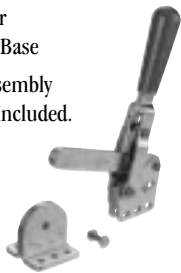


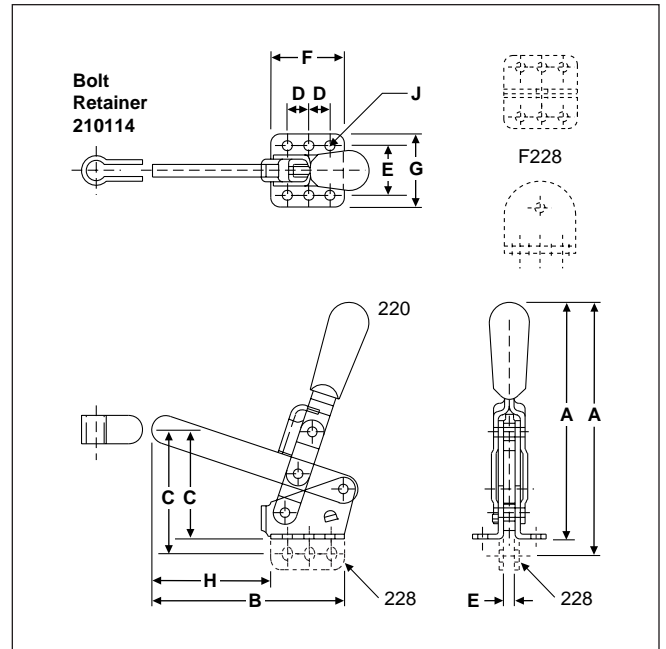
MODELS 220, 228

Smallest of the angular bar models. Compact design gives increased clearance under the bar. The furnished bolt retainer (210114) may be attached to bar at an angle to keep spindle square with workpiece. Ergonomic grip is furnished. The Model 220 has a standard flanged base while the Model 228 features separate base assembly which permits mounting at any angle to suit applications. Accommodates any 3/8" spindle assembly (not included). See pages 69-73 for accessories.

52281
Model 228
Solid Bar
Straight Base
Base Assembly
(F228) Included.



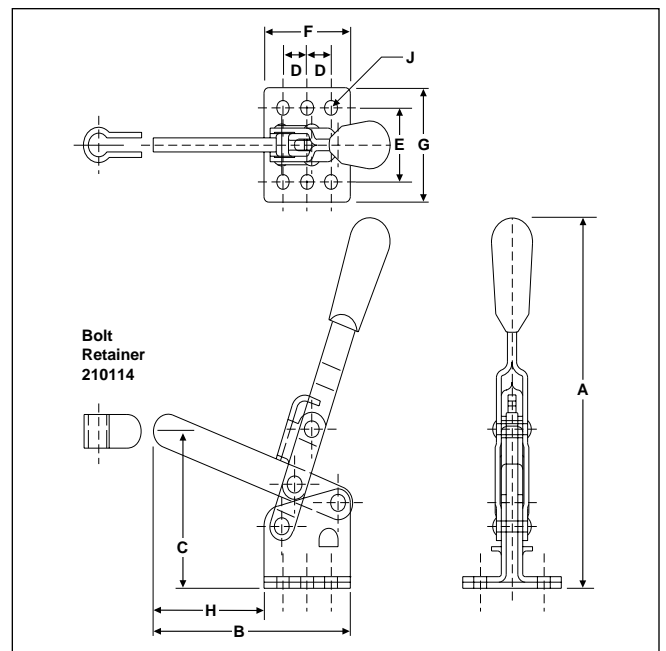
52201
Model 220
Solid Bar
Flanged Base



MODEL 240

Has the same features as Models 220, 250 and 270. Bar can be cut off and bolt retainer attached at an angle to provide square spindle contact. Supplied with bolt retainer (210114). Ergonomic handle grip is supplied for greater operator comfort. Accommodates any 3/8" spindle assembly (not included). See pages 69-73 for accessories.

52401
Model 240
Solid Bar
Flanged Base



| Model No. | EDP No. | Holding Capacity | Weight | Handle Moves | Bar Opens | Dimensions | | | | | | | | |
|-----------|---------|------------------|-----------|--------------|-----------|------------|------|------|-----|------|------|------|------|-----|
| | | | | | | A | B | C | D | E | F | G | H | J |
| 220 | 52201 | 750 lbs. | 1.00 lbs. | 66° | 110° | 6.47 | 5.00 | 2.75 | .56 | 1.31 | 1.94 | 1.94 | 3.06 | .27 |
| 228 | 52281 | 750 lbs. | 1.53 lbs. | 66° | 110° | 7.97 | 5.00 | 3.13 | .56 | .31 | 1.94 | — | 3.06 | .27 |
| 240 | 52401 | 750 lbs. | 1.25 lbs. | 65° | 104° | 7.56 | 4.56 | 4.33 | .63 | 1.66 | 2.25 | 2.56 | 2.31 | .33 |