

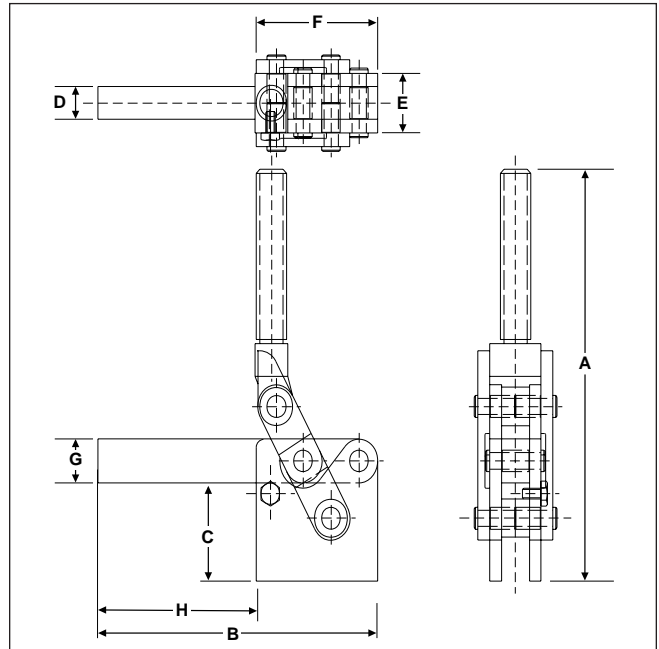
MANUAL CLAMPS

Hold-Down Action

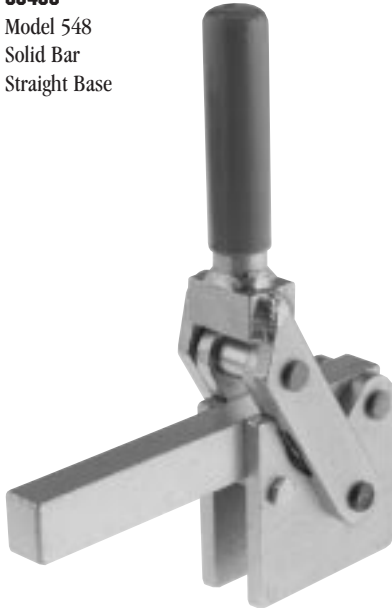


MODELS 548, 578, 588

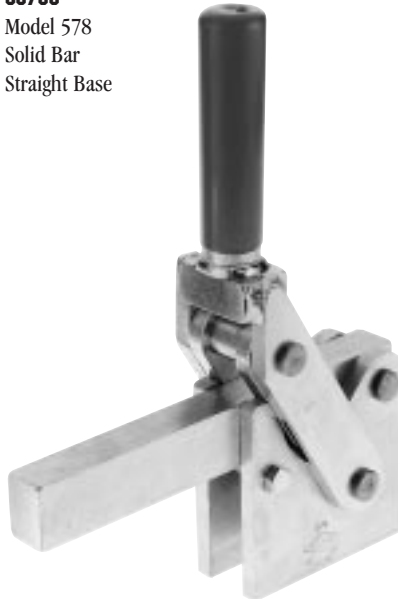
These are the largest capacity hold-down units, designed for fast cycling and accurate repeatability. They incorporate the patented “bar-guide” feature which gives lateral support to the hold-down bar at the front of the base. This extra support improves rigidity and repeatability. The clamps can be welded in place, attached by side mounting or clevis mounted. All models are supplied with red vinyl handle grip. Hold-down bar can be machined to meet the application requirements.



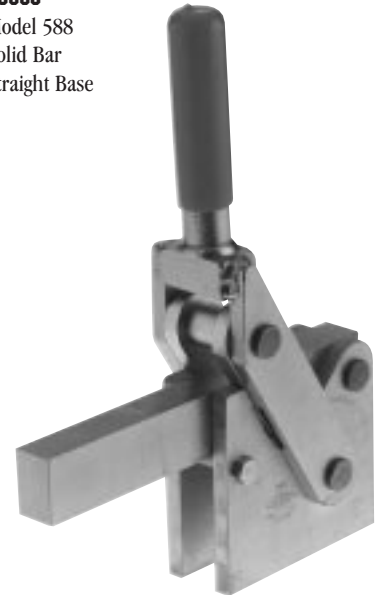
55480
Model 548
Solid Bar
Straight Base



55780
Model 578
Solid Bar
Straight Base



55880
Model 588
Solid Bar
Straight Base



Model No.	EDP No.	Holding Capacity	Weight	Handle Moves	Bar Opens	Dimensions							
						A	B	C	D	E	F	G	H
548	55480	2500 lbs.	5.30 lbs.	129°	199°	9.44	7.50	2.25	0.75	.75	3.25	1.00	4.25
578	55780	4000 lbs.	9.12 lbs.	129°	199°	11.00	8.63	2.75	0.88	.88	4.00	1.25	4.63
588	55880	6000 lbs.	14.75 lbs.	129°	199°	12.75	9.75	3.25	1.00	1.00	5.00	1.50	4.75