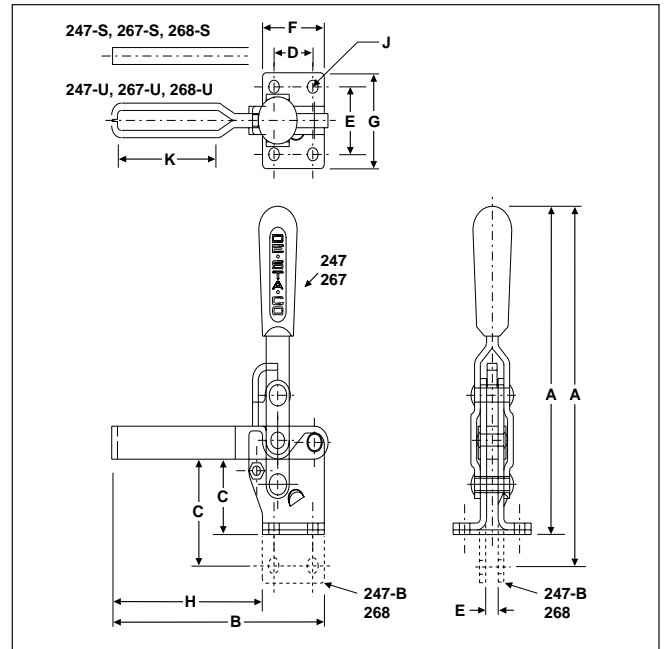


SERIES 247, 267, 268

Series 247 are compact heavy-duty models utilizing the bar guide feature for stability. Bolt retainer (247110) furnished with solid bar models, and flanged washers (247109) with "U" bar models. Accommodates all 1/2" spindles (not included). Ergonomic handle grips are included for greater operator comfort. Series 267 and 268 clamps are identical except for the base. Both models are available with either "U" bar or solid bar. Bolt retainer (110122) furnished with solid bar models. Flanged washers (267102) supplied with "U" bar models. Accommodates all 5/8" spindles (not included). See pages 69-73 for accessories. Red vinyl handle grip included.

ALSO AVAILABLE

As Air/Hydraulic	Model 847-S	Page 108
	Model 847-U	Page 108



52470
Model 247-U
"U" Bar
Flanged Base



52670
Model 267-U
"U" Bar
Flanged Base



52471
Model 247-S
Solid Bar
Flanged Base



52671
Model 267
Solid Bar
Flanged Base



52476
Model 247-SB
Solid Bar
Straight Base



52681
Model 268
Solid Bar
Straight Base



52475
Model 247-UB
"U" Bar
Straight Base



52680
Model 268-U
"U" Bar
Straight Base



Model No.	EDP No.	Holding Capacity	Weight	Handle Moves	Bar Opens	Dimensions									
						A	B	C	D	E	F	G	H	J	K
247-S	52471	1000 lbs.	2.39 lbs.	75°	136°	8.69	7.00	2.00	1.25	1.78	2.00	2.53	4.88	.34	—
247-SB	52476	1000 lbs.	2.39 lbs.	75°	136°	8.94	7.00	2.25	1.25	.38	2.00	—	4.88	.34	—
247-U	52470	1000 lbs.	2.36 lbs.	75°	136°	8.69	7.00	2.00	1.25	1.78	2.00	2.53	4.88	.34	2.81
247-UB	52475	1000 lbs.	2.36 lbs.	75°	136°	8.94	7.00	2.25	1.25	.38	2.00	—	4.88	.34	2.81
267	52671	1200 lbs.	4.36 lbs.	70°	140°	12.00	9.00	3.25	2.00	2.75	3.00	3.75	5.81	.48	—
267-U	52670	1200 lbs.	4.80 lbs.	70°	140°	12.00	9.00	3.25	2.00	2.75	3.00	3.75	5.81	.48	4.25
268	52681	1200 lbs.	4.36 lbs.	70°	140°	12.69	9.00	3.94	2.00	.38	3.00	—	5.81	.48	—
268-U	52680	1200 lbs.	4.80 lbs.	70°	140°	12.69	9.00	3.94	2.00	.38	3.00	—	5.81	.48	4.25