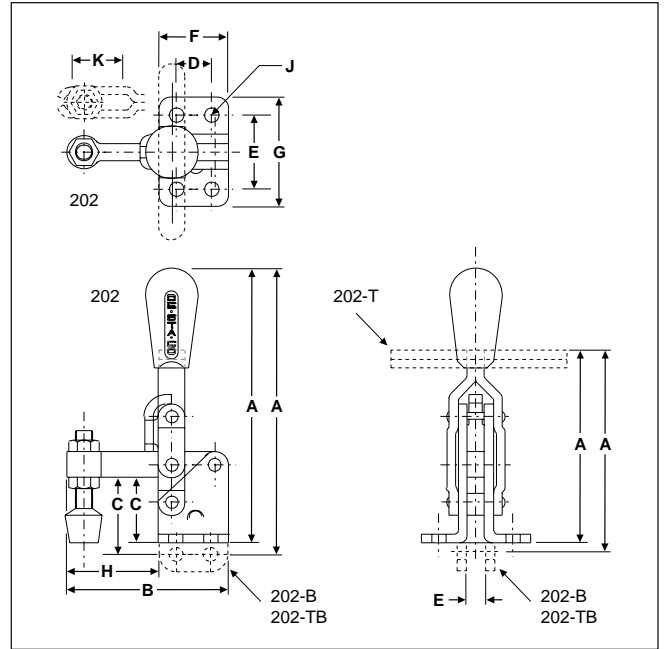


### SERIES 202

Two bar styles available making the spindle position fixed (Models 202) or adjustable (Models 202-U). Furnished with bonded neoprene-tipped 1/4-20 spindle (202208) and lock nuts. "U" bar models also include flanged washers (215105). Ergonomic handle grip included for greater operator comfort. Stainless steel models supplied with hex-head spindle only (202943).



**52020**  
Model 202  
Vertical Handle  
Flanged Base



**52025**

Model 202-B  
Vertical Handle  
Straight Base



**52022**

Model 202-T  
"T" Handle  
Flanged Base



**52023**

Model 202-TB  
"T" Handle  
Straight Base



**52021**

Model 202-TU  
"T" Handle  
Flanged Base



**52027**

Model 202-TUB  
"T" Handle  
Straight Base



**52026**

Model 202-U  
Vertical Handle  
Flanged Base



**52024**

Model 202-UB  
Vertical Handle  
Straight Base



**ALSO AVAILABLE**

As Air/Hydraulic	<b>Model 802</b>	<b>Page 106</b>
In Stainless Steel	<b>Model 202-BSS</b>	<b>Page 67</b>
	<b>Model 202-USS</b>	<b>Page 67</b>
	<b>Model 202-SS</b>	<b>Page 67</b>

Model No.	EDP No.	Holding Capacity	Weight	Handle Moves	Bar Opens	Dimensions									
						A	B	C	D	E	F	G	H	J	K
202	52020	200 lbs.	.33 lbs.	64°	104°	3.88	2.31	.94	.50	1.06	1.00	1.56	1.31	.22	—
202-B	52025	200 lbs.	.33 lbs.	64°	104°	4.07	2.31	1.13	.50	.25	1.00	—	1.31	.22	—
202-T	52022	200 lbs.	.36 lbs.	64°	104°	2.81	2.31	.94	.50	1.06	1.00	1.56	1.31	.22	—
202-TB	52023	200 lbs.	.36 lbs.	64°	104°	3.00	2.31	1.13	.50	.25	1.00	—	1.31	.22	—
202-TU	52021	200 lbs.	.38 lbs.	64°	104°	2.81	2.69	.94	.50	1.06	1.00	1.56	1.69	.22	1.00
202-TUB	52027	200 lbs.	.38 lbs.	64°	104°	3.00	2.69	1.13	.50	.25	1.00	—	1.69	.22	1.00
202-U	52026	200 lbs.	.35 lbs.	64°	104°	3.88	2.69	.94	.50	1.06	1.00	1.56	1.69	.22	1.00
202-UB	52024	200 lbs.	.35 lbs.	64°	104°	4.07	2.69	1.13	.50	.25	1.00	—	1.69	.22	1.00