

MANUAL CLAMPS

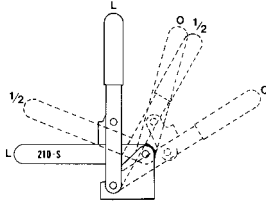
Hold-Down Action



STATUS OF HANDLE AND BAR

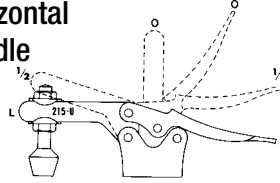
L = Locked O = Opened 1/2 = Intermediate Position

Vertical Handle (Straight or "T")



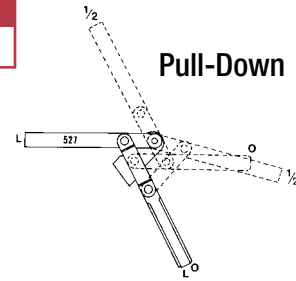
Holding Capacity Range:
100 lbs. to 6000 lbs.

Horizontal Handle



Holding Capacity Range:
60 lbs. to 1000 lbs.

Pull-Down



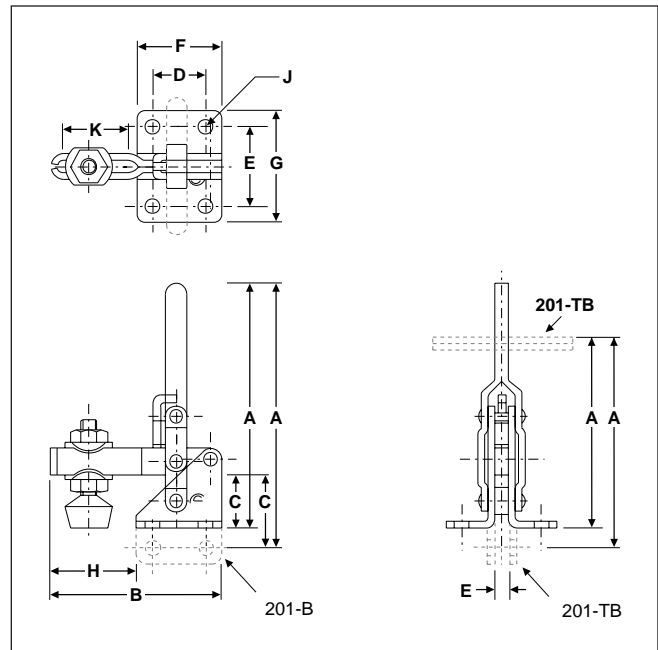
Holding Capacity Range:
375 lbs. to 2500 lbs.

SERIES 201

This is the smallest series in the vertical handle hold-down clamping series. "U" shaped hold-down bar furnished with bonded neoprene-tipped 10-32 spindle assembly (201208) and flanged washers (102111). Ergonomic handle grip included for greater operator comfort. Stainless steel models supplied with hex-head spindle (201943).

ALSO AVAILABLE

As Air/Hydraulic	Model 812	Page 106
In Stainless Steel	Model 201-BSS	Page 67
	Model 201-SS	Page 67



52010

Model 201
Vertical Handle
Flanged Base



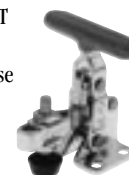
52015

Model 201-B
Vertical Handle
Straight Base



52012

Model 201-T
"T" Handle
Flanged Base



52013

Model 201-TB
"T" Handle
Straight Base



Model No.	EDP No.	Holding Capacity	Weight	Handle Moves	Bar Opens	Dimensions									
						A	B	C	D	E	F	G	H	J	K
201	52010	100 lbs.	.15 lbs.	60°	110°	2.97	2.02	.63	.63	.94	1.00	1.31	1.02	.17	.72
201-B	52015	100 lbs.	.15 lbs.	60°	110°	3.13	2.02	.88	.63	.16	1.00	—	1.02	.17	.72
201-T	52012	100 lbs.	.17 lbs.	60°	110°	2.25	2.02	.63	.63	.94	1.00	1.31	1.02	.17	.72
201-TB	52013	100 lbs.	.17 lbs.	60°	110°	2.41	2.02	.88	.63	.16	1.00	—	1.02	.17	.72