

MANUAL COMPOSITE CLAMPS

Vertical Handle Clamps/Straight-Line Clamps

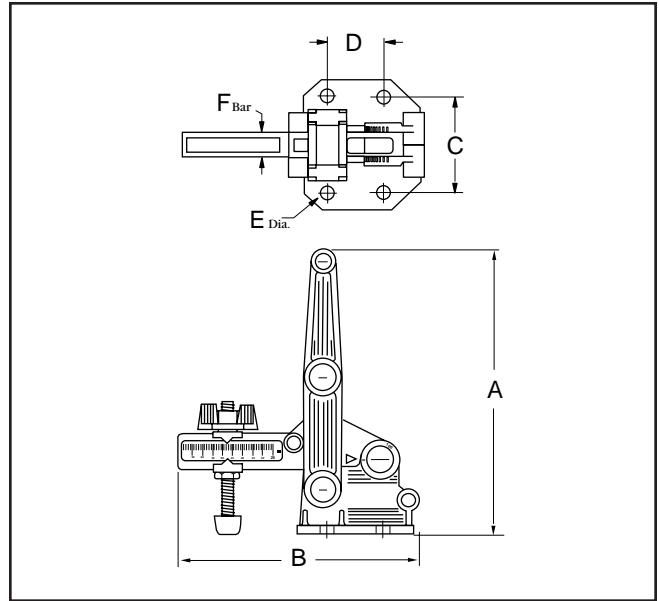


MODEL VH3

Vertical handle toggle clamps for work holding. Toggle action locks the workpiece securely. The arm opens 100° for loading. Reinforced polymer spindle assembly with neoprene tip is included, and can be positioned on the arm using the convenient indicator.

- Lightweight, non-conductive, chemical resistant
- Locking toggle action
- Spindle assembly included

57001
Model VH3



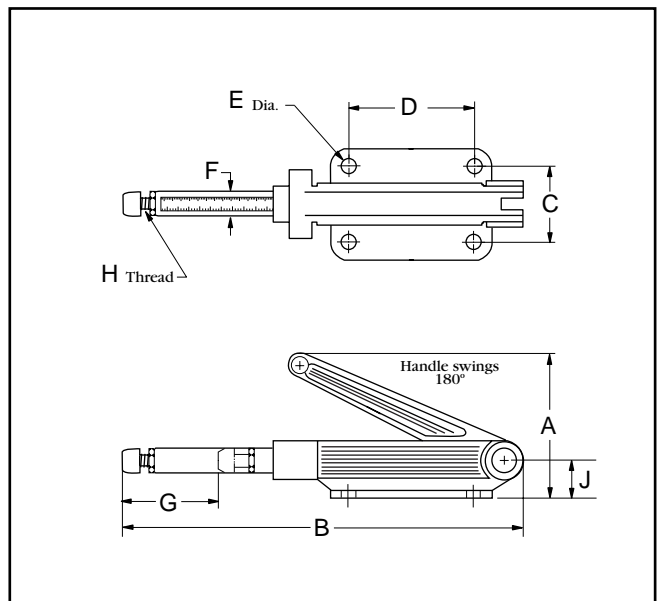
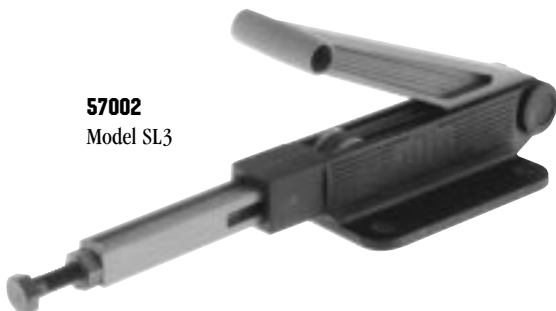
Model No.	EDP No.	Holding Capacity	Weight	Dimensions					
				A	B	C	D	E	F
VH3	57001	200 lbs.	4 oz.	5.63	4.75	1.88	1.13	0.25	0.50

MODEL SL3

Straight-Line clamps for gluing and fixturing. Toggle action locks the plunger in the extended position only. Reinforced polymer spindle assembly with removable neoprene tip is included, or you can fit customized ends to the threaded plunger.

- Lightweight, non-conductive, chemical resistant
- Locking toggle action, push clamping
- Spindle assembly included

57002
Model SL3



Model No.	EDP No.	Holding Capacity	Weight	Dimensions								
				A	B	C	D	E	F	G	H	J
SL3	57002	150 lbs.	4 oz.	2.88	8.00	1.50	2.50	0.28	0.50	2.19	0.25	0.75